

प्रसार भारती/Prasar Bharati
(भारत का लोक सेवा प्रसारक)
(India's Public Service Broadcaster)
आकाशवाणी महानिदेशालय /Directorate General: All India Radio
योजना एवं विकास एकक, आकाशवाणी भवन, संसद मार्ग, नई दिल्ली-110001
P & D Unit, Akashvani Bhawan, Sansad Marg, New Delhi-110001
[एफ. एम. डिजाईन अनुभाग /FM Design Section]

File No. Specs-30M-Tower with Containerization and Integration-9/4/2024-(TD/FM)

Dated 06.12.2024

Subject: Specifications for Supply of 30M foldable tower for Containerization and Integration of 5 kW Mobile FM transmitter set-up along-with associated equipments/items-**regarding Industry feedback & budgetary quotes.**

Dear Sir,

DG: Akashvani is planning for procurement of above referred equipment/items, on open tender basis. Draft technical specifications are enclosed for reference.

In this regard, the Prospective bidders from India are requested to give their industry feedback (if any) on the above referred draft Specifications **up to 23.12.2024** To get an estimated cost, the Prospective bidders from India are also requested to give their budgetary quote for the above referred subject **up to 23.12.2024**.

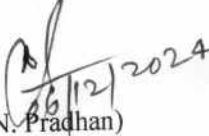
Industry feedback (if any) and budgetary quote may be sent to this Directorate at the following e-mail addresses.

ravindragoyal@prasarbharati.gov.in
onpradhan@prasarbharati.gov.in
vijendrapanwar@prasarbharati.gov.in
lokendranzair@prasarbharati.gov.in

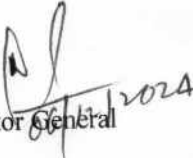
Encl: As above.

To: (through E-mail)

1. Prasar Bharati web-site
2. The Prospective Bidders
3. DDG (E-Purchase), P&D Unit, DG: AIR, New Delhi


(O.N. Pradhan)
Dy. Director (Engg.)

For Director General


For Director General

**PRASAR BHARATI
(BROADCASTING CORPORATION OF INDIA)
DIRECTORATE GENERAL; AKASHVANI
(PLANNING & DEVELOPMENT UNIT)**

Specifications for Containerization & integration of 5 kW Digital Compatible (HD & DRM+) VHF FM Solid-state MOSFET technology based broadcast transmitter in (1+1) configuration with automatic changeover unit, VHF FM Antenna system with RF coaxial cable, associated equipment and Design, Supply, integration and Containerization of Power Supply System and associated equipments/items in two mobile containers along with Supply & Design of Foldable electro-mechanical tower with trolley, for use anywhere in India as mobile FM station/transmitter set up.

SUMMARY

S. No.	Description	Page No.
1.	Essential Requirements of Tender	1 - 3
2.	Essential Eligibility Criteria for Tenderers	3 - 4
3.	Section-I: General	5 - 12
6.	Section-II: Technical Specifications of associated equipments/items	
	A- Pre-wired rack including programme input & monitoring equipments	13 - 17
	B-Audio Automatic Changeover Switch	17
	C- RF Coaxial cable	18
	D- Foldable Electro-mechanical tower with trolley	19 - 24
	E- Power Supply System and associated equipment (UPS, IT, DG, LT Panel)	24 - 46
	F- Air conditioner and ventilation equipment	46 - 47
	G-Two Mobile Containers	47 - 52
7.	Section-III: Schedule of Requirements/Materials (Un-priced)	53 - 54
8.	Annexure-I: Inspection Details	55
9.	Annexure-III: Performa for Information about Local office/Authorized representative/Dealer for after sales support in India	56
10.	Annexure-IV: List of Places	57
11.	Schematic drawings	58 - 59

A. ESSENTIAL REQUIREMENTS FOR TENDER:

1. (i) The tenderer should submit Schedule of Requirements/Materials of Supply (un-priced) ***in the same format as given in Section-III (A)*** of Akashvani Specifications in the technical bid, failing which the tender shall be considered incomplete and is liable to be rejected.
- (ii) It is also mandatory to mention ***Make & Model of the offered equipment*** in the Schedule of Requirements/Materials of Supply, failing which the tender shall be considered incomplete and is liable to be rejected.
2. Each statement of this specification has to be complied with & supported by printed technical literature, technical data sheets, schematic drawings and technical manuals from the OEM (Original Equipment

Akashvani Specification No: Containerization of 5 kW FM TX. /01/October/2024-D (TD/FM)

Manufacturer) by the tenderer, to assess the merit of the offer without which the tender will be considered incomplete and is liable to be rejected.

- The tenderer should submit the tender offer to Akashvani in the format given below, section wise & clause wise, in respect of all the sections of technical specifications. The OEM/tenderer must provide the page number reference, in column (4) of the table given below, of the Technical bid clearly indicating the volume number also, if any, for each supporting document to verify the parametric values shown in the technical specifications compliance statement, to assess the full merit of the offer, failing which tender shall be considered incomplete and is liable to be rejected.

S. No. of Akashvani Specifications (Section wise & Clause wise) (1)	Details of Akashvani Specifications (Part/ Section wise & Clause wise) (2)	Compliance (Yes/No) (3)	The page No. of the tender offer, where the information/ supporting document is available. (4)	Remarks (5)
A. Essential requirements for tender				
B. Essential eligibility criteria for tenderers				
Section-I Clause wise				
Section-II Clause wise				
Section-III Clause wise				
Section-IV Clause wise				

- The tenderer should quote the rate/cost of individual items in the tender offer while submitting the tender offer for spares (**OPTIONAL**) in commercial bid.
- The complete technical specifications (Section wise & Clause wise) compliance statements along with Schedule of Requirements/Materials (un-priced) must be signed & stamped by the respective Original Equipment Manufacturer (OEM) in the tender document, failing which the tender shall be considered incomplete and is liable to be rejected.
In case tender offer is from other than the Original Equipment Manufacturer, the tenderer must also sign & stamp the complete Technical specifications (Section wise & Clause wise) compliance statements, failing which the tender shall be considered incomplete and is liable to be rejected. The OEM & tenderer should mention their name in CAPITAL LETTERS & designation of the signatories, full address with pin code, phone number, fax number, e-mail addresses etc.
- All the volumes of the entire technical bid must be page numbered.
- The authorization and guarantee must be given by respective Original Equipment Manufacturer (OEM) on their letter head pad duly signed & stamped. In case tender offer is from other than the Original Equipment Manufacturer, the tenderer must also give guarantee on their letter head pad duly signed & stamped, failing

Akashvani Specification No: Containerization of 5 kW FM TX. /01/October/2024-D (TD/FM)

which the tender shall be considered incomplete and is liable to be rejected. Guarantee shall be as per the format given in Akashvani specification.

8. In case tender offer is from other than the Original Equipment Manufacturer, the tenderer should also furnish a certificate from the OEM that the tenderer can quote items of the OEM directly, failing which the tender shall be considered incomplete and is liable to be rejected without any notice/back reference.
9. Any change in the Akashvani technical specifications format or language or in parameters or of any other nature including the deletion/addition of technical specifications clause, words, lines in the technical specifications compliance statement by the OEM/ tenderer will not be acceptable to Akashvani and the tender is liable to be rejected.
10. Prasar Bharati will follow the reciprocal market access strategy of the Government of India, which describes on the Clause 10(d) of Public Procurement Preference to Make in India, Order 2017. The Purchaser shall have right for not consider any Bid and may restrict such Bidders from the bidding process; who originate from those countries, where they do not allow market access for Indian companies; in such cases, the Clause 10 (d) of Public Procurement Preference to Make in India, order 2017, shall be invoked wherever applicable, when it is relevant.
11. Amendment in General Financial Rules (GFRs), 2017-Golobal Tender Enquiry issued vide F. No. 12/17/2019-PPD dated 15.05.2020 of Government of India, Ministry of Finance, Department of Expenditure, Public Procurement Division shall be applicable.

12. ***Optional items will not be considered for ranking purpose.***

B. ESSENTIAL ELIGIBILITY CRITERIA FOR TENDERERS:

(a) **The tenderer shall be from India only.**

(b) The tenderer should either be the OEM of container or their authorized representative/dealer.

(c) (i) The OEM of Individual Items & Integrator of the mobile FM transmitter setup must have ISO 9001 Certification and an experience of at least last 10 years in the fields like – Equipment manufacturing, Integration & Containerization of mobile TV/ Radio broadcast transmitter setup. Documentary evidence to support this must be provided.

(ii) The OEM of Individual Items & Integrator of the mobile TV/ Radio broadcast transmitter setup should have supplied to/worked with reputed public broadcasters. The OEM must provide the details of past supply/ works record (**in the format given below**) for at least 10 Nos. of such Equipment/ Works during last 10 years ending last day of the month previous to the one in which the tender is invited. Documentary evidence to support this must be provided.

Supply order No. with date	Details of Integration & containerization work/supply with Make & Model of Supplied Equipment	Qty.	Name of the broadcaster with full postal address including e-mail address to whom transmitter was supplied.	Remarks
(1)	(2)	(3)	(4)	(5)

Akashvani Specification No: Containerization of 5 kW FM TX. /01/October/2024-D (TD/FM)

(iii) Akashvani reserves the right to get performance feedback of the Containers/Equipment/ Works from any of the above broadcasters named by the tenderer/OEM.

(iv) Copies of supply order/Completion certificates/delivery challans/invoice of at least 05 Nos., out of the 10 Numbers of above mentioned works/ supply orders submitted by the tenderer in above format, are also to be enclosed by the tenderer.

(d) In case the tenderer is the authorized representative/dealer, the tenderer must be an authorized representative/dealer of any OEM for last three years or more. Documentary evidence to support this must be provided.

(e) The OEM & Agency undertaking Containerization & Integration work must have his local office/authorized representative/dealer in India for after sales support. **A certificate as per Annexure-III** duly signed by the OEM as well as local office/authorized representative/dealer must be submitted with the offer. Copy of Agreement/MoU executed between OEMs and their authorized representative/dealer duly signed by both must also be submitted with the offer.

DRAFT

SECTION-I GENERAL

THE BROAD SCOPE OF THE SPECIFICATIONS IS AS FOLLOWS:**1.0 General Scope:**

These specifications are for Design, Supply, Testing & Commissioning of -30 meter Foldable electro-mechanical trolley mounted tower, Two(02) numbers of Containers, Power Supply System (LT Panel, UPS, Isolation Transformer DG Set, AVR, Cables etc), PIE Racks, RF coaxial cable and associated equipment/items & also Containerization, Integration, Testing & Commissioning of these items & Akashvani supplied items like - 5 kW Digital Compatible (HD & DRM+) VHF FM Solid-state MOSFET technology based broadcast transmitter in (1+1) configuration with automatic changeover unit, DTH Units, Dummy Load, RF Changeover switch , VHF FM Antenna system etc. in the two mobile containers, for using as mobile FM station/transmitter set up, for anywhere in India use.

This containerized 5 kW Digital Compatible VHF FM Solid-state MOSFET technology based broadcast transmitter set-up in (1+1) configuration with automatic changeover control unit, VHF FM Antenna system Foldable electro-mechanical tower with trolley, PS System and all associated equipment/items as per Section- III (A & B), shall be capable of continuous round the clock operation.

Offered equipment/items shall be field proven for satisfactory operation.

1.1 Broad Scope of Supplies:**Major Equipment/items to be Supplied/ Integrated & Containerized:**

S. No.	Description of Equipments/items
1.	5 kW Digital Compatible (HD & DRM+) VHF FM Solid-state MOSFET technology based broadcast transmitter in (1+1) configuration with automatic changeover unit (Akashvani Supply)
2.	10 kW Dummy Load & Thru Line Power Meter (Akashvani Supply)
3.	Motorized RF Coaxial Changeover Switch (Akashvani Supply)
4.	RF Coaxial Copper Rigid Lines
5.	Pre-wired rack including programme input & monitoring equipments
6.	DTH as Audio source
7.	Audio Automatic Changeover Switch
8.	FM Mono and Stereo Modulation Monitor including RF Amplifier (Akashvani Supply)
9.	Stereo FM Digital Audio Broadcast Processor (Akashvani Supply)
10.	Power Supply System and associated equipments including Power supply Distribution LT Panel, UPS, Isolation Transformer, PS Cables etc. for Transmitter and associated equipments/items
11.	Air conditioner and ventilation equipment
12.	VHF FM Antenna System(Akashvani Supply)
13.	RF Coaxial cable
14.	Foldable electro-mechanical tower with trolley
15.	Two (02) numbers of Mobile Containers with containerization & integration of all the above equipment/items

1.2 Instructions to bidders: Tender documents shall be referred for general term and conditions of contract for supply including all the commercial aspects like Packing and Packing List, Insurance and Marine Risk etc., Payment terms, Penalty/Compensation for Delay, Damages and Liabilities, Time Period and Extension for Delay, Foreclosure of Contract due to Abandonment or Reduction in Scope of Supply, Cancellation of Contract in Full or Part, Recovery of Security Deposit, Performance Guarantee, Unsatisfactory Workmanship, Damages Incurred During Transit, Tenderer Liable for Damages, Defects, Recovery of Compensation, Ensuring Payment and Amenities, Tenderer to Indemnify Government against Patent Rights, Release of Security Deposit, Safety Code, insurance from manufacturer's works/factory to respective site etc. **i.e. in totality.**

1.3 LANGUAGE / UNITS:

All information supplied by the tenderer and all markings, notes, designation on the drawings and associated write-ups including Instruction Manuals shall be in "**English language**" only. All dimensions and units on drawings and all references to weights, measures and quantities shall be in **SI units**.

1.4 DOCUMENTS/INFORMATION TO BE SUPPLIED WITH THE TENDER OFFER:

1.4.1 The complete technical specifications (Section wise & Clause wise) compliance statements alongwith Schedule of Requirements/Materials (un-priced) duly signed & stamped by the respective Original Equipment Manufacturer (OEM) and countersigned by the tenderer as per the format, given in clause A (3) above, to assess the full merit of the offer, without which the tender offer will be considered incomplete and is liable for rejection.

1.4.2. Complete printed technical literature/technical data sheet/schematic drawings/detailed information including Technical Manual (for Installation, Testing, Commissioning, Operation, Maintenance & Servicing, including theory of operation, circuit description and fault diagnosis) of equipment/items as per Section-III(A) from the respective Original Equipment Manufacturer (OEM) in support of compliance statement should be furnished, to assess the full merit of the offer, without which the tender offer will be considered incomplete and liable to be rejected.

1.4.3. Detailed Schedule of Requirements/Materials (un-priced) for the supply of Equipment/Items/ Containerization & Integration works for each site should be in conformity with Section- III (A) without any change in the format, failing which the tender will be considered incomplete and is liable for rejection. The tenderer must quote all items.

1.4.4. Descriptive information and complete details of each equipment offered along with proposed Equipment Layout in offered two containers and 30 meter Tower in trolley, shall be given by the tenderer.

1.4.5. Country of Origin, Make, Type & Model of all the offered items should be mentioned including the name & address of their vendors.

1.4.6. The performance figures of the offered equipment/items must be given by the tenderer, to assess the merit of the offer, without which the tender will be considered incomplete and liable to be rejected.

1.4.7 Copies of Technical Manuals {for Installation, Testing, Commissioning, Operation, Maintenance & Servicing, including theory of operation, circuit description with detailed circuit drawings and fault

diagnosis} of the offered Equipment/Items/Containerized Integrated System , must be enclosed with Technical Bid for assessing the Supply/Containerized Integrated system. The Technical Manual {for Installation, Testing, Commissioning, Operation, Maintenance & Servicing, including theory of operation, circuit description with detailed circuit drawings and fault diagnosis} must include at least the details given below:

(a) **The Installation Manual must describe the following information:**

- (i) Complete installation & working system of offered Integrated Containerized system & associated equipment along with 30 meter Foldable Tower.
- (ii) Line Diagrams showing the isometric view of offered equipment/item with dimensions in meters are to be provided.
- (iii) All installation drawings with dimensions in respect of supplied equipment are to be provided-
- (iv) All mechanical assembly drawings of the offered equipment/Item/30 meter foldable Tower and containerized integrated system with dimensions are to be provided.
- (v) All the views, i.e. front, rear, top and side (open) of the offered system with dimensions are to be provided-
- (vi) The details of unpacking are to be provided.
- (vii) A detailed write up in English only regarding offered integrated system along with its associated equipments/items should be provided.
- (viii) The procedure of hoisting & folding back of Tower and antenna system, alignment and adjustment of various assemblies & sub-assemblies of Containerized Mobile Transmitter setup such as Jacks in parked condition, RF Cable, PS System, should be described in detail with practical examples.
- (ix) **All Do's and Don'ts which are essential for safety of the integrated containerized transmitter system & operating personnel should be described.**
- (x) An inter-wiring diagram for all equipment/items/ units installed as components of the **integrated containerized transmitter system** and interlocks with external units and accessories like dummy load, changeover switches, patch panel etc. which are wired in the transmitter interlocks should be provided.

(b) **Operation, Maintenance & Servicing Manual must describe the following:**

- (i) General description of the offered Integrated Containerized FM transmitter setup, with block diagram/schematic drawings indicating the details of different blocks, modules and redundancy incorporated in systems.
- (ii) General description and structural overview of Integrated Containerized FM transmitter setup indicating the position of different Items/Equipment/ Units /Power Distribution etc., front, rear, top & side (open) views with dimensions.
- (iii) Colour Photographs of offered 30 meter elect mechanical Tower/ Power supply System/Items showing the following:
 - (a) Front view
 - (b) Rear view
 - (c) Top view
- (iv) Description of various interlocks, protections under abnormal conditions and schematic

drawing indicating inter connections to different transmitter units, external units and accessories like dummy load, changeover switches, patch panel etc. which are wired in the transmitter interlocks.

- (v) Details and schematic drawings of cooling system of Containerized Transmitter setup with description.
- (vi) The detailed procedure for Power Supply change over and possibilities of by-passing arrangements should be described with diagrams.
- (vii) **All Do's and Don'ts which are essential for safe Operation & Maintenance of the transmitter setup should be described.**
- (viii) The various test and measuring equipment required and essential for the routine maintenance and calibration along with the procedure for taking such measurement should be mentioned.
- (ix) Various test fixtures and accessories required for the maintenance/repair of the Containerized Integrated transmitter setup should be described clearly.
- (x) The detailed procedure for troubleshooting of the Containerized Integrated transmitter setup preferably up to ~~component~~ Individual Item/ Equipment level should be described.
- (xi) The systematic troubleshooting /fault tree and flow diagram should be provided for diagnosis of the faults with their remedial measures.
- (xii) General description of electrical power distribution and schematic drawing of power supply system used for the integrated transmitter system.

1.4.8 List of equipment for which respective OEMs' compliance statements, guarantee certificates and certificates for authorization for after sales support is required:

- (i) Electro-mechanical Foldable tower with trolley
- (ii) PIE Rack
- (iii) RF Coaxial cable
- (iv) Power supply System and equipment
- (v) Two numbers of containers
- (vi) DTH Setup as audio source

All the above documents are necessarily to be provided on respective OEMs' letterhead, duly signed by authorized signatory of the OEM with name and designation of authorized signatory. The documents must have clear reference of item being offered by the respective OEMs.

1.4.9 The Integrator/ Coachbuilder shall certify having following facilities at their works/premises, Technical details along with photographs is to be enclosed with the offer –

- i. Shearing & Bending Machine capable of providing twist free cutting results with cutting results as per relevant standards
- ii. Hot bonding press
- iii. MIG/TIG/Arc welding machine
- iv. Spot Welding Machine
- v. Rain Test Facility
- vi. ISO Corner Pull Test Facility
- vii. Fully Equipped QC Lab
- viii. MIL Grade Painting Booth
- ix. Psychrometric Test Chamber

1.4.10 *In addition to above, the tenderer is also required to submit the document (s)/information as asked elsewhere in the technical specifications.*

1.5 DOCUMENTS/INFORMATION TO BE SUPPLIED BY THE TENDERER WITHIN 15 DAYS AFTER ISSUE OF ACCEPTANCE OF TENDER:

One set of **Technical Manuals** {containing all the details as in 1.4.7(a) & (b) for Installation, Testing, Commissioning, Operation, Maintenance & Servicing, including theory of operation, circuit description with detailed circuit drawings and fault diagnosis}, **COLOUR** printed and duly bound in r/o Integrated Mobile Transmitter setup, RF coaxial cable, 30 meter Electro-mechanical foldable tower, Power supply equipments/items, AC Equipment etc. along with one soft copy on pen drive must be supplied to “The DDG (E-FM), P & D Unit, DG: AIR, New Delhi-110001”.

1.6 INFORMATION TO PRECEDE DESPATCH OF EQUIPMENT:

Following information should be supplied to The DDG (E-FM), P & D Unit, DG: AIR and each of the consignees prior to dispatch of equipment:

- a) Detailed list of equipments under dispatch.
- b) Photograph showing location of various units/subunits with item numbers marked thereon.

1.7 DOCUMENTS/INFORMATION TO BE SUPPLIED ALONG WITH EQUIPMENT:

Technical Manuals {containing all the details as in 1.4.7(a) & (b) for Installation, Testing, Commissioning, Operation, Maintenance & Servicing, including theory of operation, circuit description with detailed circuit drawings and fault diagnosis}, **COLOUR** printed and duly bound of Integrated Transmitter system in two containers, electro-mechanical foldable tower, Power supply equipments/items etc. and inspection report shall be supplied as per the details given below:

- (i) For Consignee- 2 Sets of technical manual in hard copies printed and duly bound alongwith one soft copy on pen drive.
- (ii) For the following Offices/Officers-One soft copy on pen drive for each offices/officers: DDG(E-FM), DDG(E-TM), Zonal Office (Maintenance Wing of North zone), Zonal Office (Project Wing of North zone), Technical Library(P&D Unit), R&D & NABM (T)

1.8 DELIVERY:

Supply will have to be completed within **SIX MONTHS** from the date of Acceptance of Tender or **FIVE MONTHS** from the date of the Decision Letter from WPC(whenever is required) in respect of RF equipment, provided by AIR, whichever is later.

1.9 PACKING AND PACKING LISTS

All the equipment should be securely and properly packed to withstand transit hazards. Equipment packing shall be fit for sea freight and incorporate adequate protection against ingress of moisture. Packing slips giving details of the items contained in each package shall be placed inside the package in a water proof envelop to enable easy identification and should contain cross references to item/part numbers of installation drawings/components lists. The copies of packing slips and other details should be sent separately to respective consignee and also to DDG (E-FM), P & D Unit, DG: AIR, New Delhi.

1.10 INSURANCE AND MARINE RISKS ETC.

Please refer to commercial terms.

1.11 GUARANTEE:

The tenderer shall submit with his offer an undertaking to accept the following guarantees:

{This Guarantee clause is applicable to Transmitter as well as all the associated equipments/items mentioned in Schedule of Requirements/Materials (un-priced)}.

- (i) A guarantee that the equipment supplied will be in accordance with these specifications, varied only to the extent stated in his tender and agreed to in the contract.
- (ii) A guarantee to make good within 15 days (from the date of first intimation to OEM/tenderer) at tenderer's expense any component which becomes defective under normal operating conditions for **36 months** from the date of supply. If the tenderer failed to rectify the fault within the stipulated period of 15 days, the guarantee period for that particular equipment/item would be extended corresponding to the outage period.
- (iii) A guarantee to supply all components for a period of ten years from the date of supply, at rates at which these are being supplied by the firm to other customers and also should match prices of original manufactures of these components prevailing at that time.

1.12 PRE-DISPATCH INSPECTION OF INTEGRATED & CONTAINERIZED TRANSMITTER SETUP & ASSOCIATED EQUIPMNTS/ITEMS:

Detailed Pre-dispatch Inspection (PDI) of Integrated & Containerized transmitters on dummy load will be carried out at OEM's Works by **two Engineers** of Akashvani as per details given in **Annexure-I**.

Call for Pre-dispatch Inspection (PDI) is to be given by the tenderer to Akashvani at least **4 weeks** in advance. Inspection period will be two days for each Set (1+1) transmitter setup as per approved ATP to be submitted to Akashvani along with the call for inspection of transmitters for analyzing etc.

Expenses toward to and fro air journey of Akashvani inspecting engineers, , boarding, lodging etc shall be borne by All India Radio.

Detailed inspection of all associated equipments/items will be carried out at tenderer's system integrator's works.

The tenderer will clearly state and mention the name of place of tenderer's System Integrator's works in the tender offer, failing which the tenderer, will be considered incomplete and is liable to be rejected.

The complete Acceptance Test Procedure/Protocol (ATP) will be prepared by the respective OEM of the offered equipments/items and submitted to DDG (E-FM), P&D Unit, DG: Akashvani for approval within **15 days** of issue of Acceptance of Tender. ATP will also indicate full details of setup for measuring/testing equipments to be deployed during the performance measurements/inspection. The approved ATP shall form the basis for performance measurements/inspection to be carried out. AIR has the right to include other technical parameters in ATP submitted by OEM within the ambit of specification of the product offered.

Final inspection of the complete system in all respect after integration of transmitter and all equipments/items in two containers shall be carried out at tenderer's system integrator's works by

Akshvani Engineers as per mutually agreed ATP to confirm the performance of the equipments on the basis of Akashvani specifications, before finally taking over/accepting the equipment.

Detailed inspection regarding tower with trolley is given under Section-II(C).

1.13 ESSENTIAL REQUIREMENT FOR LOCAL OFFICE/AUTHORIZED REPRESENTATIVE/ DEALER IN INDIA FOR AFTER SALES SUPPORT:

- (a) The OEM/ Integrator should have complete setup for maintenance/repair of the offered Items/ Equipment in India, either of its own or through local office/authorized representative/dealer.
- (b) The local office/authorized representative/dealer will be the nodal point for resolving issues related to after sales support. It is the responsibility of local office/authorized representative/dealer to arrange the repair/replacement of faulty items. Any equipment/item requiring repairs will have to be repaired. If it is not feasible to repair the module at site, the same will be collected from the site by local office/authorized representative/dealer that will arrange repairs locally. The cost of transportation, repairs etc. shall be borne by the tenderer during the guarantee period.
- (c) After sales support for the repairs/maintenance of entire system after the completion of guarantee period, shall also be provided by the respective OEM/Integrator through their local offices/authorized representatives/dealers in India.
- (d) The details of technical facilities available with local office/authorized representative/dealer **for after sales support such as test bench, necessary test & measuring equipment and photographs thereof, must be provided in the technical bid.**
- (e) At the discretion of AIR, the representative(s) of AIR may visit the works of local office/authorized representative/dealer of OEM in India to ensure/verify that adequate technical infrastructure is available for after sales service for timely resolving the issues related to attending/replacing the equipments. Tenders from the tenderers who failed to meet these criteria shall be considered incomplete and is liable to be rejected.

1.14 ENVIRONMENTAL CONDITIONS FOR TRANSMITTER AND ALL ASSOCIATED EQUIPMENT:

Outside temperature range	:	-30 C to + 40° C
Ambient temperature range for operation	:	0 C to + 40° C
Relative humidity	:	95 percent, non-condensing
Working altitude	:	Up to 4500 meters AMSL

1.15 POWER SUPPLY FOR THREE PHASE EQUIPMENT:

Operating Line Voltage :	AC Three phase, 4 wire, 400V ± 10 %
Frequency :	50Hz ± 4 %
Power Factor :	Better than 0.9

1.16 POWER SUPPLY FOR SINGLE PHASE EQUIPMENTS:

Operating Line Voltage : AC Single phase, 230V \pm 10 %,
Frequency : 50Hz \pm 4 %
Power Factor : Better than 0.9

**1.17 DEMONSTRATION OF THE OFFERED EQUIPMENT ~~THROUGH WEB CONFERENCING~~
DURING PRE BID MEETING:**

The tenderer will have to arrange a Power Point presentation/ Virtual demonstration of the offered Containers, Equipment, and Integrated & Containerized Transmitter setup either at Akashvani Bhavan New Delhi or through web-conferencing during pre-bid meeting/ technical evaluation stage, if required by AIR, within 10 days of the issue of request letter. Accordingly, the tenderer should be in readiness for web demonstration, failing which the tender offer is liable to be rejected without any further correspondence.

All expenses & liabilities for demonstration through web-conferencing of above offered integrated & containerized 5kW Mobile FM transmitter setup shall be borne by the tenderer. This web demonstration will be purely for Technical Evaluation of the offered integrated & containerized 5kW Mobile FM transmitter setup and is without any commitment for acceptance of offer.

SECTION-II

TECHNICAL SPECIFICATION OF ASSOCIATED EQUIPMENTS/ITEMS

SECTION- II – (A) TECHNICAL SPECIFICATION OF PRE-WIRED RACK INCLUDING PROGRAMME INPUT & MONITORING EQUIPMENTS

1.0 PRE-WIRED RACK INCLUDING PROGRAMME INPUT & MONITORING EQUIPMENTS:

- (i) Pre-wired Rack shall house Audio Processor, Mod. Monitor, Analogue Stereo Distribution Amplifier, Digital Distribution Amplifier and shall have two numbers (2 Nos.) of Stereo Jack Strip/Audio Patch Panel for analog audio signal and two numbers (2 Nos.) of Stereo Jack Strip/Audio Patch Panel for AES/EBU signal inputs and suitable connectors for Analog Audio (Stereo), AES/EBU (Digital) Audio, SCA, RDS/DARC inputs.
- (ii) Pre-wired Rack shall be provided with cable trays, wiring, tag blocks, terminal strips, BNC connectors, repeat coils, attenuators 0-15 dB, necessary modulating inputs level control in steps, facility to measure audio levels at various points in the programme chain with a PPM meter and monitor audio levels at various points in the programme chain with an ampli-speaker (1+1) with mounting arrangement, selector switch, ventilation arrangement and other accessories as per AIR specifications. For Audio Chain reference, AIR drawing No. TE-16750 is enclosed.
- (iii) There will be two external sources of audio from the output of two Set Top Boxes (DTH) [to be provided by AIR]. The audio shall be fed to both the Transmitters via Distribution amplifier from one external source as selected by the Automatic Audio changeover switch.

1.1 GENERAL:

It shall be a standard 19" Rack conforming to professional standards of sound broadcasting for mounting equipment and accessories having lockable rear door and side panels.

1.2 MECHANICAL:

- (i) Construction Details: The rack shall be sturdily constructed from anodized aluminum extrusion sections of suitable size fastened to form framework properly reinforced with stiffeners, suitably welded. The front side of the rack shall be open for mounting equipments. The rear side of the rack shall be provided with a single leaf, hinged removable type door and handle with latching arrangement. The sides should be covered with panels which can be screwed to the frames. These panels should be reinforced with stiffeners. The Racks shall have holes for grouting bolts on the bottom plate. The thickness of the sheet used for sides of the rack and door shall be 1.6mm and 1.3mm respectively.
- (ii) Mounting Arrangement: Panel mounting rails with pre-drilled and tapped holes corresponding to metric thread 'MS' are to be provided at the front. Suitable mounting arrangement is to be made at the top and the bottom of the frames for mounting the rails at different intervals. Pre-drilled holes shall be such that it shall be possible to mount any standard equipment of width 483mm and height 1U to 4U. Necessary equipment support angle to relieve strain on holding screws wherever required

Akashvani Specification No: Containerization of 5 kW FM TX. /01/October/2024-D (TD/FM)

shall be provided. Any equipment which is less than standard 19" width shall be provided with rack mount kit.

- (iii) Style/Strips or Trims: To render sleek look style, strips/trims are to be provided on the front side which will cover the drilled holes on the mounting rails.
- (iv) Ventilation Arrangement: Louvers are to be provided throughout the length of rear door of the rack. Provision is required to be made for mounting a cooling fan of minimum 100 CFM at the top.
- (v) Finish of the Rack: The inside and outside of the rack shall be powder coated (dark grey matt finish).

1.3 JACK STRIP FIELD/ AUDIO PATCH PANEL:

- (i) Standard Jacks Strip of robust construction and positive action shall be used. Input and output of all the equipments and the programme lines shall be brought to the Jack Field. Few jack points shall be used as check points without disrupting the signal flow & few to be left as spares for the tie lines, parallel points and for future use. The jack strip panels shall be openable on front sides without strain on connector and wiring.
- (ii) Jack Strip construction: The jacks shall have preferably a nickel plated brass frame, with nickel-silver springs and gold-silver/ Palladium contacts. The jacks shall be mounted on 20mm centers. The Jacks shall be as per DIN specifications.
- (iii) Contact arrangement: Each jack shall be a 24 point jack, providing a break circuit (on both wires) and an isolated earthing lug.
- (iv) Indicating strip: A strip covered with transparent plastic shall be provided above the row of jacks for labeling purposes.
- (v) Separate jack strip field/ audio patch panel for analog and digital inputs will be provided by the tenderer.

1.4 PEAK PROGRAMME METER:

The Programme level metering shall be with **Peak Programme Meter** (Bar graph Display or LEDs Type). This unit shall work independently in any configuration for signal monitoring without loading the source.

1.5 AMPLI-SPEAKER PANEL:

The Ampli-speaker with mounting arrangements shall have two ampli-speakers, one for each channel. The monitoring output will be fed to the ampli-speakers. The Ampli-speaker shall meet the following specifications:

S. No.	Technical Parameters	Technical Specification
(i)	Frequency range	63 Hz-15 kHz
(ii)	Audio Power	8 Watt Continuous for each channel
(iii)	Volume Control	adjustable for each channel
(iv)	Audio input	Balanced Stereo
(v)	Input Impedance	$\geq 10 \text{ k}\Omega$
(vi)	Power Supply	As per AIR specification clause 1.15

1.6 REPEAT COIL:

- (i) A Line to line audio transformer shall be provided for isolating balanced and unbalanced circuits.
- (ii) Hum reduction: The shielding and design of the windings shall be such that the hum level picked up by the unit, when placed in normal magnetic field inside equipment rack is better than -75dBm, as measured across either winding, both secondary and primary being terminated by 600 Ω .
- (iii) Insertion Loss: Less than 1dB
- (iv) Frequency response: better than ± 1 dB (30 Hz-15kHz) referred to 1 kHz.

1.7 RACK WIRING:

All the wiring in the rack shall be carried out with MIL standard approved PTFE insulated, shielded, twin core, audio cables of standard size in PVC cable duct.

- (i) The wiring for all the equipment shall be routed through terminal blocks which shall be suitably located for easy accessibility. All the wiring on the terminal block shall be suitably marked. The wiring bunches shall be neatly laid and clamped to the body of the rack.
- (ii) Power supply wirings shall pass through separate conduits and shall be segregated suitably from the audio wiring in order to avoid noise and hum pick up.

1.8 DISTRIBUTION AMPLIFIERS:

The Analogue Stereo and Digital Audio Distribution Amplifier will be used for feeding analogue stereo and digital audio programme to various destinations.

Analogue Stereo Distribution Amplifier should be solid state audio amplifier having one stereo input and 4 separate individually adjustable stereo outputs.

The Digital Distribution Amplifier should be solid state having one digital input and 4 separate digital outputs.

(i) ANALOGUE STEREO DISTRIBUTION AMPLIFIER:

S. No.	Technical Parameters	Technical Specification
1.	Input Impedance	Input impedance shall be ≥ 10 k Ω (balanced)
2.	Input Level	
a.	Nominal	0 dBu
b.	Maximum	+20 dBu
3.	Gain	Shall have adjustable gain of ± 5 dB with respect to nominal setting
4.	Output Level	
a.	Nominal	0 dBu
b.	Maximum	+20 dBu
5.	Output Impedance	Output impedance shall be ≤ 50 Ω (balanced)
6.	Frequency Response	± 0.1 dB in frequency range of 20 Hz to 20 kHz
7.	THD + N	Less than 0.1% at nominal level (1 kHz) and less than 0.5% at maximum output level. (Terminated into a load of 600 Ω) throughout the audio frequency range of 20 Hz to 20

		kHz
8.	S/N Ratio at nominal Input/Output, rms unweighted (22 Hz-22kHz)	≥ 90 dB
9.	Inter Output Loading:	
a.	If one of the outputs gets short circuited, the level on the rest of the outputs shall not fall by more than 0.3 dB.	
b.	If two of the outputs get short circuited, the level on each of the remaining outputs shall not fall by more than 0.6 dB.	
10.	Inter-Channel Phase Difference	Not more than 5° in frequency range of 125 Hz to 10 kHz and 10° from 20 Hz to 20 kHz
11.	Inter-Channel Level Difference	Within ± 0.5 dB, from 20 Hz to 20 kHz
12.	Inter-Channel Crosstalk	Equal to or better than 60 dB at 20 kHz at nominal level
13.	Input/Output Connectors	Input and all outputs shall be on 3-pin XLR connectors

(ii) DIGITAL DISTRIBUTION AMPLIFIER:

S. No.	Technical Parameters	Technical Specification
Digital Audio Input		
(i)	Configuration	AES/EBU standard, 24-bit resolution
(ii)	Sampling Rate	32, 44.1 or 48 kHz automatically selected
(iii)	Connector	XLR-type, female, EMI-suppressed
(iv)	Input reference level	Variable within the range of -20 to 0 dBFS
Digital Audio Output		
(i)	Configuration	AES/EBU standard, 24-bit resolution
(ii)	Sample Rate	32, 44.1 or 48 kHz, selected in software
(iii)	Connector	XLR-type, male, EMI-suppressed
(iv)	Impedance	110 Ω

1.9 Other Accessories:

- (i) A LED lamp to illuminate when the door is opened shall be provided on one of the side at top.
- (ii) Arrangement may be made for mounting tag-blocks/terminal strips at a suitable height from the bottom at the rear side.
- (iii) PVC channels may be provided for routing cables.
- (iv) Necessary drawers shall be provided for keeping patch cords & headphones.
- (v) Suitable arrangement is to be made for mounting AIR Monogram on the top frame on the front side.
- (vi) Two 2U blank space shall be provided for fixing Satellite Receivers (Set Top Box).
- (vi) Blank panels of 1U height wherever required for proper gap between equipment are to be provided suitably.

1.10 Power Supply:

- (i) Mains Panel with indication lamp and MCB to distribute power supply for various equipments, mounted on front side bottom in the rack shall be provided.

Akashvani Specification No: Containerization of 5 kW FM TX. /01/October/2024-D (TD/FM)

- (ii) RFI Filter to protect against electrical & EM disturbances shall be provided for protection in the mains supply.
- (iii) Power supply to all the equipments/circuits in the rack shall be distributed from this Mains panel along the height of rack at each equipment level through 3 Pin 5A socket. The Rack shall also be provided with two additional sockets of 3 pin 5A.

1.11 Earthing:

All the equipment in the Rack shall be properly earthed. The earth circuits of the power supply and audio circuits shall be kept separate and brought out on suitable terminals for earthing.

1.12 Shielding:

The Rack shall be installed in the transmitter Hall. Necessary precautions shall be taken to shield the equipment and wiring from high level R.F. field.

N.B. The tenderer shall prepare schematic drawings & layout of equipments in the offered Rack and submit along with tender.

SECTION II - (B) - SPECIFICATION FOR AUTOMATIC AUDIO CHANGEOVER SWITCH:

There will be two external sources of audio from the output of two Set Top Boxes (DTH). The audio shall be fed to both the Transmitters via Distribution amplifier from one external source as selected by the Automatic Audio changeover switch.

Automatic audio changeover switch should be suitable for two stereo audio inputs and one stereo audio output for connecting audio from two sources. Selection of one of the audio input to output should be possible manually via front panel and remotely through SNMP over TCP/IP network. In case of failure of one of the audio source, silence detection should be possible and thereby automatic changeover to another audio source should be possible for which changeover time should be adjustable from 5 sec to 120 second. The automatic audio changeover switch shall provide negligible attenuation and shall not cause any deterioration of audio input signal made available at the output. MIB file will be provided by tenderer.

Technical Parameters of Automatic Audio Changeover Switch shall meet following specifications:

S. No.	Technical Parameters	Technical Specification
(i)	Input Mode	Stereo, Mono
(ii)	Silence wait time	From 5 sec to 75 sec
(iii)	Working mode	Automatic, Manual, Remote control through SNMP over TCP/IP network
(iv)	Output audio mode	Stereo, Mono
(v)	Analog Input-1	2 × XLR female
(vi)	Analog Input-2	2 × XLR female
(vii)	Analog Output	2 × XLR male
(viii)	Ethernet Port/Web Server	For remote control through SNMP over TCP/IP network.
(ix)	Power Supply	As per AIR specification clause 1.15.

SECTION II (C) - TECHNICAL SPECIFICATION OF RF COAXIAL (FOAM TYPE) CABLE

1. The RF Coaxial (foam type) Cable for feeding to Antenna with suitable connectors shall be supplied with each transmitter. The Transmitter shall be connected to the Antenna via RF Coaxial (foam type) Cable.
2. The cable shall be complete with end connectors, hoisting grips and cable clamps for its hoisting.

S. No.	Technical parameter	Technical specification
1.	Type of RF Coaxial Cable	Foam Dielectric Coaxial Cable
2.	Size	1-5/8"
3.	Average Power Rating of RF Foam Dielectric Coaxial Cable at standard conditions VSWR 1.0, ambient temperature 40° C @ 108 MHz)	≥ 12 kW
4.	Attenuation of RF Foam Dielectric Coaxial Cable at standard conditions VSWR 1.0, ambient temperature 20° C @ 108 MHz in dB/100 M)	≤ 0.80
5.	Frequency Range	88 MHz-108 MHz
6.	Impedance	50 Ohm ± 1 Ohm
7.	Material for Inner Conductor	Corrugated Copper Tube
8.	Material for Outer Conductor	Corrugated copper
9.	Weight of Cable	To be given by the tenderer.

The RF Coaxial foam type Cable shall be as per AIR Specification, failing which, tender will be considered incomplete and is liable to be rejected. The RF Coaxial foam type Cable shall be supplied with 1-5/8" EIA flange fitted at both end of the cable with Bullets (inners) for 1-5/8" Flange Connectors complete for each places.

All following accessories associated with RF Coaxial Cables are to be provided:

- (i).Hoisting stockings
 - (ii).Earthing kits
 - (iii).Wall gland
 - (iv).Cable Clamps (adjustable height) with nut, bolt & washer and associated accessories
- Any other accessories offered for the completeness of the system (Item wise details & part No., if any, of the offered and included materials are to be given by the tenderer)
- (v) Suitable arrangement for cable reel for housing the cable shall be provided.

SECTION – II (C) - TECHNICAL SPECIFICATION OF THE FOLDABLE ELECTRO-MECHANICAL TOWER

1. INTRODUCTION:

Electro-mechanical foldable tower of 30 M high alongwith suitable mobile trolley are required to be supplied, for mounting of 2- bay side mount vertically polarized VHF FM antenna.

The Body of the trolley shall be built on 4 Wheel Base and shall have approx. suggestive size of 6000mm (L) × 2200mm (H) × 2500mm (W). The actual size of the mobile trolley for foldable Tower should be as per O&M and regulatory requirements as per applicable standards/ IS and complete details shall be submitted by the tenderer in the tender document. Four Nos. of integrated stabilizer jack stand for trolley shall be supplied by the Tenderer. The capacity of the jack shall be 6 tons each suitable for hilly terrain.

The tower shall be self-supporting type having square section base out of galvanized steel sections/structures of four legs. The foldable tower and antenna system should be mounted in such a way so as to maintain the balance of mobile trolley. The electro-mechanical foldable tower in the rest position shall be lengthwise along the trolley just to keep within road limits. This is essential requirement. Vertical rest position shall not be acceptable and offer is liable to be rejected. The trolley shall have sufficient space for carryout VHF FM antenna and RF Coaxial cable during transportation.

1.1 SCOPE:

This specification aims at design, fabrication & supply of 30 M high electro-mechanical foldable Self Supporting Lattice Steel tower with trolley to support 2-Bay VHF FM antenna.

The broad scope of the present tender includes the following:-

- a. Preparation and submission of design documents & design drawings of Tower structure approved by any IIT/SERC alongwith certificate from IIT/SERC testifying the soundness and safety of design of tower structure to AIR (in hard & soft copies).
- b. Preparation and submission of general arrangement drawing(s) showing all the facilities and requirements as specified in the specification to AIR (in hard & soft copies).
- c. Preparation and submission of working structural drawings and submitting to AIR (in hard & soft copies).
- d. Construction of Trolley.
- e. Design, Fabrication & Supply of tower structure and tower appurtenances/accessories including antenna apertures, Vertical Cable tray, pipe for mounting of FM antenna etc.
- f. Painting of the tower structure.
- g. Providing protection against lightning, earthing of tower, Aviation Obstruction Lights (AOL) including Beacon light and sun-switch. The aviation obstruction lighting arrangement shall be as per latest International Civil Aviation Organization Recommendations. The details of Power Supply arrangements for aviation obstruction lights shall be provided with the tender. Distribution of supply to Aviation Obstruction Lights shall be through suitable weatherproof junction boxes with suitable mounting.
- h. The power supply cable for multi-point power sockets will also be supplied by the tenderer.
- i. The cables for AOL and utility outlets at various platforms shall be taken on tower on the vertical cable rack.
- j. Hauling up of 2-Bay VHF FM antenna and RF Feeder cable.
- k. Joint inspection with representative(s) of the firm and AIR.

- l. Joint inspection of pending works as pointed out during joint inspection with representative(s) of the firm and AIR.
- m. Inspection and certification for structural firmness, verticality and all other design specifications by any IIT/SERC **after erection of tower** and submission of inspection report & certificate(s) (in hard & soft copies) to AIR.
- n. Handing over of tower with completion report (in soft & hard copies) including **videography & photographs** showing complete tower.
- o. Any other work necessary to complete the job.

3. GENERAL:

The specifications indicated herein are only to guide the tenderer about the requirements of the user. Detailed design of the tower from all aspects should be got worked out by the tenderer, keeping in view the effects of local meteorological conditions like wind velocity, seismological & environmental conditions, temperature, codal provisions and as per good engineering practice to ensure the safety of the tower.

- a. The tower shall be designed considering probability factor based on mean probable Design life of tower structure as 100 years.
- b. The tenderer shall obtain Wind Zones data as per IS: 875 amended to date and seismic zone data as per IS: 1893 amended to date. The above data only shall be used in the Design Calculations. However, it may be kept in view that the wind map and seismic map are approximate only and require a judicious decision on the part of the designer to provide a good design of the tower for a design life of 100 years.
- c. It may also be ensured by the tenderer that if the site falls within a short distance from another wind zone having a higher basic wind speed, the tower shall be designed as per the higher basic wind speed.
- d. The design of the tower shall be based on recognized principles of structural design Engineering, conforming to latest IS codes and Standard Engineering Practices. **Full responsibility regarding soundness of design including factor of safety and the execution of work rests with the tenderer.**
For limit state of strength, partial safety factor for loads under worst atmospheric conditions and critical loadings shall be considered as a minimum 1.5 on any destabilizing load (including but not limited to, wind loads). If dead load contributes to the reduction of stresses or supports the stability for any particular action, suitable expected dead loads shall be considered.
- e. The overall force co-efficient for wind load on tower shall be taken from IS: 875 amended to date. For calculating the solidity ratio, actual obstruction area of tower shall be considered.
- f. The permissible stresses in the various structural members of tower shall be adopted from the relevant clauses of IS: 800 amended to date.
- g. Loading effect of seismic forces as per IS: 1893 amended to date and cyclonic winds and conditions of frost etc., if any, is also be taken into consideration.
- h. Loading effect due to antenna and various accessories shall be taken into consideration.**
- i. The successful tenderer shall indemnify and hold harmless the purchaser against claims in respect of injury/any mishap to any person, howsoever arising from erection of the tower, and in the course of such work and throughout the period during which the safety of the tower is guaranteed.
- j. The successful tenderer shall fully discharge all obligations under the Indian Workmen's Compensation Act, any local, State laws and regulations in so far as it affects the workmen in his employment.

3. INFORMATION TO BE SUPPLIED WITH TENDER DOCUMENTS:

The tenderer must furnish the following documents/information with the tender to assess the full merit of the offer, failing which the tender shall be considered incomplete and is liable to be rejected. This is mandatory requirement.

- a.**
 - i. The general arrangement drawing(s) showing all the facilities and requirements as specified in the specification should be attached with the offer.
 - ii. Outline drawings to scale showing the assembly of the structures. These drawings should show the main dimensions including the size of main structural members, mounting centres, methods of attachment to foundations and any special features of design or form.
 - iii. Total weight of tower shall be given.
- b.** Detailed information concerning design parameters such as loads due to wind effect & seismic effect, dead loads, antenna loads, combination loads considered, design philosophy along with other information which shall contain the following:
 - (i) Wind speed, terrain category, topographic factor, gust factor, risk factor etc.
 - (ii) Seismic zone factor, importance factor, response reduction factor etc.
 - (iii) Antenna loads due to 2- Bay antenna, RF Cable etc.
 - (iv) Load combinations considered.
- c.** The design calculations indicating the various formulas used for design, the bearing and shear stresses used for the design of bolted sections and the factors of safety adopted for the various structural components and materials. For limit state of strength, partial safety factor for loads under worst atmospheric conditions and critical loadings shall be considered as a minimum 1.5 on any destabilizing load (including but not limited to, wind loads). If dead load contributes to the reduction of stresses or supports the stability for any particular action, suitable expected dead loads shall be considered.
- d.** Typical design load calculation with methodology due to seismic effect.
- e.** Details of Bill of Materials (BOM) showing Grade Designation and Quality of steel members, weight of the tower structure, details of fasteners, nuts, washers etc.
- f.** Design forces compression/tension due to critical load combination, design of main members panel wise i.e. leg, bracing (diagonal & horizontal) with section adopted, capacity of members based on length, slenderness ratio, allowable stress with reference & formula.
- g.** Deflection at top of tower and reaction at base in most critical load combinations.
- h.** Complete printed technical literature/technical data sheet/schematic drawings/detailed information of LED based Aviation Obstruction Light and details of Antenna Fixtures, paint materials, earthing etc.
- i.** Details of past experience.

4. INFORMATION TO BE SUPPLIED AFTER ISSUE OF ACCEPTANCE OF TENDER:

The successful tenderer shall furnish the following documents/information within One months after issue of acceptance of tender:

- (i) Submission of general arrangement drawing(s) showing all the facilities and requirements as specified in the specification to AIR Directorate. (in hard & soft copies) -2 Sets
- (ii) Submission of design documents & design drawings of tower structure approved by any IIT/SERC alongwith certificate from IIT/SERC testifying the soundness and safety of design of tower structure to AIR Directorate. (in hard & soft copies) -2 Sets
- (iii) Detailed working structural drawings (in hard & soft copies) -2 Sets
- (iv) Any other drawings for the completeness of the tower design as per AIR specification.

The following references shall be indicated in the above design documents & design drawings, working structural drawings, general arrangement drawings etc. while submitting to AIR Directorate

- (1) AIR AT No.
- 2) AIR Specification No. &
- (3) Approval of competent authority with signature & stamp.

5. PRE-DISPATCH INSPECTION:

Pre-dispatch inspection of tower material & erected tower shall have to be got done by representative(s) of All India Radio in India by giving an advance notice of **TWO WEEKS**. The certifying agency IIT/SERC that will issue certification for structural safety & firmness, verticality and all other design specifications in compliance of AIR specification will also be part of PDI. Pre-dispatch inspection of tower material and subsequent inspection of erected tower shall be done as per mutually accepted test procedure, which shall be submitted and got approved from All India Radio before the supply of tower material. Travelling expenses for AIR's representative(s) will be borne by AIR.

The recommendations/suggestions during PDI will have to be incorporated by the tenderer before submitting final completion report. All costs on this inspection and post inspection corrections, if required, for completeness of the tower shall be borne by the tenderer. Successful tenderer will also give the complete working demonstration of erection of tower, hauling up of 2 bay side mount VHF Antenna and RF Feeder cable on such erected tower.

Inspection and certification for structural firmness, verticality and all other design specifications by any IIT/SERC **after erection of tower** and submission of inspection report & certificate(s) (in hard & soft copies) is the mandatory clause of this tender.

6. SUB- SECTION (TECHNICAL SPECIFICATIONS)

A) TECHNICAL FEATURES:

The electro-mechanically foldable tower should have following technical features:

- a) Extending the tower
- b) Lowering the tower
- c) Lay Horizontally on trolley in rest/Nested position

B) Tower to be designed for the following parameters

(i) Nested height	:	Less than 6M
(ii) Extended height	:	30 M
(iii) Type of mounting	:	External support bracket
(iv) Number of sections	:	7(the inner top section will be with the provision for mounting antenna system)
(v) Material	:	Structural steel conforming to IS:2062 amended to date
(vi) Base plate	:	As per design
(vii) Weight of tower	:	As per design
(viii) Wind speed	:	198Kmph
(ix) Loading due to Antenna system & cable	:	Approx. 150 Kg Dead Weight & 300 Kg wind load @ 198kmph)

7. VERTICALITY TOLERANCE, DEFLECTION, TWIST & SWAY:

A. UNDER STILL AIR CONDITIONS:

The tower shall be vertical after erection and no straining shall be permitted to achieve this. The verticality of tower shall be within the provisions of Table-1(III) (b) of IS: 12843:1989 amended to date, viz. $\pm H/1000$ or ± 20 mm (whichever is less) for towers up to 30 M height i.e. the bottom of the line joining to the centre of the top of the tower and the centre of the base of the tower shall be within this limit. (H refers to the height of the tower).

B. UNDER MAXIMUM WIND LOAD CONDITIONS:

- (i) The horizontal deflection of the vertical axis of tower shall not be more than 1° (degree) at various levels including top, under maximum wind and other critical loading conditions. The deflection at top of tower shall be checked as per the provision made in latest IS:800: 2007. The reaction at base shall be unfactored.
- (ii) The angular twist shall not exceed 0.5 degree.
- (iii) The sway shall not exceed 0.5 degree.

8. PROTECTION AGAINST LIGHTNING:

The tower shall be provided with a suitably designed complete system of lightning protection in accordance with provision of IS: 2309 (amended to date). Copper strip of size **50 mm × 3 mm** is to be provided for Lightning Arrester from top of the tower to the ground along.

9. PAINTING:

The details regarding painting of tower are given below:-

The tower shall be given one coat of ETCH primer (2 Pack) followed by two coats of Zinc Chromate primer and two or more coats of synthetic enamel paint. The tower shall be painted to have equal alternate bands of international orange and white colours with top and bottom bands painted in orange as per latest International Civil Aviation Organisation Recommendations.

The paints used in painting shall be in accordance with IS: 2074, IS: 2932 & IS: 2933 amended to date.

Akashvani Specification No: Containerization of 5 kW FM TX. /01/October/2024-D (TD/FM)

Etch primer shall conform to IS: 5666 amended to date and Priming of Zinc Chromate shall conform to IS: 104 amended to date.

Painting shall be done in accordance with IS: 1477 Part I & II amended to date.

The minimum dry film thickness shall be 8 microns of ETCH primer, 40 microns of each coat of Zinc Chromate primer and 40 microns of each coat of synthetic enamel paint. The overall Dry Film Thickness (DFT) should not be less than 168 microns.

10. EARTHING:

The foldable tower base plate should be doubled earthed. *The earth resistance of the tower earthing should be as per IS.*

SECTION II – (D) - TECHNICAL SPECIFICATION OF POWER SUPPLY SYSTEM

1. TECHNICAL SPECIFICATION OF UNINTERRUPTED POWER SUPPLY SYSTEM (UPS)

1.1 General

The input power to the transmitter system is supplied from an external 400 V, three phase system. One no. of 20 kVA On-line UPS are to be provided to maintain power to the selected transmitter and other equipments. 20kVA on Line UPS shall conform to the following Specifications.

1.2 ESSENTIAL FEATURES:

1.	(a) The system should be fully DSP controlled in all respects (i.e. rectifier control, inverter control, display, digital diagnostics), solid-state type, utilizing true On-Line Double Conversion technology (high frequency PWM using IGBT Rectifier & inverter section) (b) The system should be capable of providing continuous high quality sinusoidal waveform power for electronic equipment loads. (c) The system should conform to voltage frequency independent technology.
2.	The DSP based controller should have following characteristics: 1. Diagnostic monitoring achieved by Fast Fourier Transform (FFT) of spectrum analysis 2. Adaptive control by having the speed to monitor and control the system concurrently 3. Real time generation of smooth, near optimal reference profiles and move trajectories 4. Control power switching and inverters and generate high resolution outputs
3.	The UPS should offer low input current harmonic distortion (THDI), good regulation, excellent transient response and high stability.
4.	(a) The system should have a monitoring panel (LCD Based) with various types of fault alarms and metering functions including: i. Output voltage, current & frequency. ii. Input voltage, current & frequency. iii. Bypass Voltage, Current & frequency. iv. Battery capacity, backup time left & bad battery indication. v. Temperature of System, Inverter section and Rectifier section.

Akashvani Specification No: Containerization of 5 kW FM TX. /01/October/2024-D (TD/FM)

	<p>b) The UPS system should display both RMS value and Peak value of load current.</p> <p>c) The UPS system should have facility to generate aural alarm for bad Battery condition.</p>
5.	<p>a) The system should have wide input voltage and input frequency tolerance as specified in Rectifier section.</p> <p>b) Transient Voltage Surge Suppressor (TVSS) should be provided at the input & output of the UPS System.</p>
6.	<p>The system should have provision for controlling all the three phases individually, even in case of 100% unbalancing at the output with even 0% load on one phase. There should be no change in regulation in phase voltage with 100% unbalancing.</p>
7.	<p>The system should be capable of supplying energy to load from commercial mains without any break in case of phase reversal at the input. It should also generate aural and visual alarm in such a case.</p>
8.	<p>a) The system should have provision of protection for</p> <ul style="list-style-type: none"> (i) Input under voltage (ii) Input Over Voltage (iii) Output Over Voltage (iv) Output Over load (v) Output short circuit (vi) Battery under Voltage (vii) Over temperature (viii) DC Over current <p>b) The system should generate aural and visual alarms for above-mentioned conditions.</p>
9.	<p>The system should have Controls as</p> <ul style="list-style-type: none"> (i) Input Circuit Breaker (ii) Bypass Circuit Breaker (iii) Maintenance Bypass Switch (iv) Inverter ON / OFF Switch (v) Alarm acknowledge switch
10.	<p>(a) The system should have facility to store the Logs of the events being monitored by monitoring system.</p> <p>(b) The UPS system should have the capability to store a minimum of last 100 events.</p> <p>(c) The UPS should have in-built digital fault diagnostic through stored events in UPS system.</p>
11.	<p>The system should also include an external 35 kVA Isolation Transformer alongwith the UPS to provide protection from electrical surges/noise (inherent and generated both) present in the input power supply.</p>
12.	<p>The firm should specify the Nos. & type of desired batteries, which shall be part of the system to be offered. [The batteries of known & reputed world-class manufacturer only will be accepted.] The sealed maintenance free-batteries AGM-VRLA type shall only be acceptable. The detailed technical specification of batteries with their working life is also to be specified and provided with the offer.</p>
13.	<p>A- The battery charger should have provision of</p>

Akashvani Specification No: Containerization of 5 kW FM TX. /01/October/2024-D (TD/FM)

	<p>(i) Monitoring battery temperature and accordingly adjusting the charging level to enhance the battery life.</p> <p>(ii) Programmable battery charging which can be programmed to enhance battery life.</p> <p>B- Battery charging current should be adjustable from 10% to 80% through Microprocessor & displayed.</p> <p>C- For battery sizing calculation, temperature is required to be taken as 0°C.</p>
14.	The system should have communication port RS-232 and should be compatible to integrate with NMS. Suitable software for monitoring & diagnostics etc. should be supplied.
15.	The system should be designed with scientific forced air-cooling for proper ventilation. Acoustic noise level should be kept at minimum.
16.	The UPS system output should be isolated from the DC circuit of the UPS.
17.	The firm should specify the total area requirement for installation of the system including batteries. A floor layout plan should be attached.
18.	<p>The system that shall be quoted against this tender should include all switchgears, cables, earthing etc. Terminals for input 3-phase, 4 Wire, power supply & output power supply should be provided.</p> <p>Power supply sub distribution in the output is not in the scope of this tender. A block-schematic diagram with all items should be provided.</p>
19.	The system that shall be quoted against this tender should be capable of running continuously round the clock, seven days a week without interruption or failure.
20.	<p>The UPS System quoted must conform to the latest international standards of safety and EMC. The conformance to such standards (indicating standard's name & number) must be stated in compliance statement. A certificate issued to OEM by authorized international/ national agencies should be submitted along-with the declaration from OEM in this regard. In general, following standards should be met: -</p> <p>A. Safety: IEC 62040-1 / EN 50091-1</p> <p>B. Emission and Immunity: IEC 62040-2, Class A / EN 50091-2 (Class A)</p> <p>C. Performance: IEC 62040 –3/ EN 50091 – 3</p> <p>D. CE-Marked in accordance with EEC directives 73/23 “low voltage” and 89/336 “electromagnetic compatibility”</p>
21.	The UPS manufacturer must be ISO 9001-2000 certified company. A copy of the certificate should be enclosed with the offer.

2.0 TECHNICAL SPECIFICATIONS:

<u>A. SYSTEM</u>		
1. Technology:	The UPS shall be designed to operate as true on-line, double conversion fully DSP controlled type UPS strictly as per the definition of IEC 62040-3 as follows:	
a) Normal Operation:	The UPS inverter should continuously supply the critical AC load. The rectifier & charger should take power from the AC input source, convert it to suitable DC and supply to the inverter as well as charge the Batteries on Automatic Float cum Boost Mode.	
b) Upon Mains Failure:	Upon failure of AC input power, the critical AC load should continue to be supplied by the inverter, which should obtain power from the battery. There shall be no interruption in power to the critical load upon failure or restoration of the AC input source (Mains/ DG).	
c) Upon Mains Restora	Upon restoration of AC input power, the Rectifier/Charger should automatically restart walk-in and gradually take-over the supply to inverter and charging to the battery.	
d) Static Bypass:	UPS Module should have inbuilt 100% rated static Bypass Line. All the loads should be transferred to the Static Bypass Line of the UPS without any break for the following conditions: <ul style="list-style-type: none"> i. If the UPS fails ii. If overload beyond 150% for 1 minute is faced by the UPS iii. If UPS sense over temperature (i.e. inverter exceeding 65°C simultaneously). If the UPS inverter is put-off	
2. MTBF of the System:	Bidder to specify and justify MTBF of the system	
3. Capacity:	20 kVA at power factor 0.8	
<u>B. RECTIFR SECTION</u>		
1.	(a) Technology	Fully DSP Controlled IGBT Rectifier with input filters to reduce the harmonics.
2.	Input	3-phase, 4-wire plus Ground
3.	Input Voltage	320 to 460 V (at full load)
4.	Input Frequency	47 – 53 Hz
5.	Input Power factor	> 0.96
6.	Input Current Harmonic Distortion (THDi)	≤ 4%

Akashvani Specification No: Containerization of 5 kW FM TX. /01/October/2024-D (TD/FM)

7.	Soft start (0-100%)	> 10 Sec
8.	DC ripple voltage	< 1%
Note: Bidder should Specify the following Parameters for quoted UPS system		
i.	Rectifier Input current (Max.)	
ii.	Max. Rectifier output current	
iii.	Rated Output current (with battery fully charged state) iv) Max. Output Voltage	
C. <u>INVERTER:</u>		
1.	Technology	Fully DSP based IGBT/PWM Inverter
2.	Output Voltage 1. Nominal: 2. Static:	3-phase, 4-wire plus Ground 380V- 415V AC (adjustable), 50Hz 400 ± 1% V AC, 50Hz
3.	Output voltage regulation: a) 100% Balanced load b) 100% Unbalanced load c) Transient response (100% step loading) d) Recovery time to steady state (± 1%)	< ±1% ± 2% < 5% < 5 msec.
4.	Output frequency regulation a) Line Connection: b) Self Connection:	± 1% (meeting input frequency range of 47-53 Hz.) ± 0.05%
5.	Overall Efficiency:	>90% (for all loads from 50% to 100%)

Akashvani Specification No: Containerization of 5 kW FM TX. /01/October/2024-D (TD/FM)

	(From I/P to O/P of the U.P.S. system)	
6.	Output voltage Distortion: (at rated load)	< 1% linear load, < 4% non-linear load with 3:1 crest factor
7.	Audible noise level at 1 metre	60 dBA or better
8.	Overload capacity: (a) Inverter (b) Bypass Mode	Upto 125% 10 min Upto 150% 1 min Continuously upto 135% of rated current 135% to 170% of rated current for 1 min > 170% of rated current for 2 seconds
9.	RF Suppressions:	As per BIS & EMC standard.
10.	Computer Interface:	RS 232 Interface
11.	Online Battery testing:	Required
12.	(a) Mains failure, (b) Battery Low, (c) PS Fault	Tenderer to provide Audio/Visual alarm at remote location (maximum distance 100 meter) in addition to local.
13.	Front panel Display (Please submit the details of front panel display)	LED mimic with LCD display. The LCD should display the following: a) Input side: i) Voltage ii) Current iii) Frequency b) Output side: i) Voltage ii) Current (RMS value) & Peak value. iii) Frequency c) Intermediate DC: i) Voltage ii) Current iii) Remaining time (in minutes) d) Bypass: i) Voltage ii) Current iii) Frequency e) Alarm History
D. BATTERY BANK & BATTERY		
1.	Battery Bank Capacity	Minimum 35,000 VAh
2.	Nominal output	Minimum 42 Ah

Akashvani Specification No: Containerization of 5 kW FM TX. /01/October/2024-D (TD/FM)

	current capacity	
3.	No. of Battery String	1 Set complete
4.	DC Voltage of the battery bank	Should be Minimum 480 V
5.	Type:	12 V Batteries of Sealed Maintenance Free (AGM-VRLA). (Please submit the catalogue of offered battery with its detailed specifications along with the charging & discharging characteristics and Graphs from the OEM).
6.	Backup time:	Minimum 15 minutes (at the End of Life (EOL) of Battery) for 100 % load with each UPS system
7.	Charging Voltage	Float: 13.5±0.1 V per Battery at 27°C Boost: 13.8±0.1 V per Battery at 27°C
8.	Cutoff Voltage	1.70-1.75 V per Cell (should be Selectable)
9.	Floating Voltage regulation between no load & full load.	1% or better.
10.	Codes & Standards	The supplying battery manufacturer shall be ISO 9001/14001 certified. The battery design shall be of field proven technology. The manufacturer shall have 5 years of field experience. Copy of Certificate for ‘AGM-VRLA Battery’ must be attached with the offer.
11.	Design	All batteries within the battery string shall be of the same manufacturer and model. The batteries shall be “Sealed Maintenance Free (AGM-VRLA)” type.
12.	Life	10 years designed life at 27°C on full float.
13.	Life Cycling Characteristics	Each battery shall be designed to provide 4000 cycles at 20% depth of discharge (DOD) at 27°C and 1200 cycles at 80% DOD at 27°C.
14.	Deep Discharge	Following an equalization charge, battery shall be capable of being recharged to rated capacity from a discharge down to zero volt per cell.
15.	Recharge Rate	The battery shall be capable of a 90% recharge within 12 hours
16.	Operating Temperatures and altitude	The battery shall be capable of operating in temperatures ranging from 0°C to +40°C. Battery shall withstand hard freezing without damage to the alloy, plates, or cell container assembly. The battery shall be capable of operating at a maximum of 4500 M from ground level (AMSL).
17.	Gassing	No special ventilation shall be required under normal operating

Akashvani Specification No: Containerization of 5 kW FM TX. /01/October/2024-D (TD/FM)

		conditions. No separate “battery room” shall be required to house the battery unit.
18.	Battery Orientation	Battery bank shall have clear removable covers to facilitate visual inspections and allow ease of service.
19.	Self-Discharge	The battery shall have a maximum self-discharge rate of 0.5-1.0% per week at 27°C.
20.	Construction/ Functional Description	Pressure Relief Valve Each battery shall have a self re-sealing pressure regulation valve, which operates at specified pressure. A flame arrester shall be incorporated in the valve designed to diffuse the Hydrogen gas escaped during charge and discharge. The valve shall be such that it cannot be opened without a proper tool. The valve shall be capable to withstand internal battery pressure specified by the manufacturer.
21.	Housing	The Battery system should be installed & supplied with MS Racks.
22.	Product Identification Label	Each battery shall have a self-adhering label identifying the product manufacturer, model and nominal Amp-Hour capacity. The label must be readily visible from the front of the battery. The label shall not wear out throughout the life of the battery.
23.	Capacity Testing	Each battery shall be capacity tested at the manufacturing facility as per standard battery testing procedure. For each battery, battery performance tables and curves shall be submitted with the supply. The curves may be obtained by test or by calculation.
24.	Leak Detection	Integrity of the container and post seals shall be verified in the battery manufacturing process using an automated helium leak detection process.
25.	Seismic Requirements	Batteries shall be packaged in steel modules that meet Seismic requirements when stacked horizontally.
26.	Accessories	Each battery shall be furnished with the following accessories: 1. Each battery system shall include the necessary inter-battery and inter-module connectors and terminal plates. The connectors shall be lead-tin plated copper and shall include stainless steel hardware. 2. One set of numerals (one numeral per battery) suitable for permanent attachment to batteries. 3. Assembly and connection drawings. 4. Each module shall include an easily removable transparent “snap on” safety shield to cover all connectors
27.	Recycling services	The manufacturer must provide worldwide recycling services to properly dispose of spent lead-acid batteries. These services must include proper instructions for the packaging, transportation, and

		beneficial recycling as required meeting E.P.A. guidelines (or other applicable agencies) for the safe handling of lead-acid batteries. Documentation of disposal must be provided.
28	Max. Battery Charging current with nominal load	To be specified (Battery charging current should be selectable from the front panel of UPS system upto maximum value)
29.	The bidder should submit battery sizing calculation justifying following points: <ul style="list-style-type: none"> • No. of Batteries • Capacity of Battery (Ah), (By considering the K-factor, efficiency of the system, Temperature correction factor, Ageing correction factor, etc.) • DC bus voltage The total required area for battery installation should also be mentioned.	

SECTION II – (D) - TECHNICAL SPECIFICATION OF POWER SUPPLY SYSTEM

2. ISOLATION TRANSFORMER

The Isolation Transformer should be three phase, naturally air cooled type, housed in one steel cubical provided with cast iron wheels at bottom and should have hooks for lifting the unit. The cubical enclosing the Isolation Transformer should have sufficient openings (doors and removable covers) for ease of operation and maintenance of the system.

1.	AC Input:	Delta 3-phase, 400±10% (phase to phase)
2.	AC output:	Star 3-phase, 400±10% (phase to phase) 230 (phase to neutral)
3.	Frequency:	47 to 53 Hz
4.	Capacity:	35 kVA
5.	Duty cycle and use	24×7 Continuous, Indoor
6.	Common Mode Noise Rejection	Better than 110 dB
7.	Inter winding capacitance	Less than 0.005 pF
8.	Insulation resistance	More than 500 Mega Ω at 500V
9.	Terminals	Studs on fiber glass plate at rear
10.	Cable entry	Bottom

ENVIRONMENTAL CONDITION

1.	Operating Ambient Temperature	0°C to 40°C
2.	Storage/Transport Ambient	- 25°C to 40°C

Temperature

3. Relative Humidity 95%

SECTION II – (D) - TECHNICAL SPECIFICATION OF POWER SUPPLY SYSTEM

3- TECHNICAL SPECIFICATION OF SILENT TYPE DIESEL GENERATOR SET WITH AUTOMATIC MAINS FAILURE (AMF) PANEL

1. Scope:

This specification is for Supply, Installation, Testing and Commissioning of a Silent type 30 kVA capacity (at Site conditions) Three phase, 50 Hz, 240 volt AC, air-cooled Diesel Generator set with brush-less excitation for FM transmitters and associated equipments. The (DG set) will be provided with suitable acoustic enclosure with trolley for indoor/outdoor location in tropical climate. The schedule of requirement is given which should be read with this specification.

1.2 **Location:**

The Stand alone, Self Contained in weather proof canopy Silent type Air cooled/Liquid cooled, DG set with trolley will be installed in container as per CPWD specifications.

1.3 **General Conditions:**

- 1.3.1 The DG Set should generally conform to the technical specifications in Section – II.
- 1.3.2 The DG Set should be designed for efficient and trouble free service for 24x7 hrs. of continuous operation at a stretch. All materials used in the manufacture should conform to the IS: 10002-1981 and 13364(Part-2)-1992 amended to date.
- 1.3.3 All work should be carried out in accordance with standard mechanical & electrical practice. The units should be designed for ease in operation, maintenance and complete safety to operating personnel.
- 1.3.4 Only easily available standard components should be used as far as possible. The tenderer should submit an undertaking to make available spares and replacement parts for a period of ten years.
- 1.4 The tenderer shall submit the following documents in duplicate with the tender.
- Supply of fuel consumption data at different loading of the alternator, i.e. No load, 25%, 50%, 75%, Full load and permissible over load.
 - Manufacturer test certificates on engine and alternator as conforming to the relevant IS.
 - Total weight and base plate details and dimensions are to be provided.
 - Construction details of acoustic enclosure.

1.5 The electrical earthing of the machine shall be done in accordance with provision of IS-3043: 1987.

1.6 Special conditions to be fulfilled:

DG set to be supplied shall be fitted with heavy duty silencer to attenuate audio frequency noise from exhaust. It should be as per Central Pollution Control Board norms.

1.7 Tenderer shall provide heating system for subzero temperature.

1.8 **Completeness of contract:**

All fittings and accessories which may not have been specifically mentioned or which the tenderer

Akashvani Specification No: Containerization of 5 kW FM TX. /01/October/2024-D (TD/FM)

may not explicitly mention in his tender but are necessary for the satisfactory operation of the DG Set should be deemed to be included in the contract and is to be provided by the contractor without any extra charge.

1.9 Documents to be submitted (with tender)

The tenderer should submit following documents along with technical bid failing which the tenders are liable to be rejected.

- 1.9.1 Printed original leaflets with illustrations of DG set Components viz. Engine, Alternator, ventilation systems, Control Panel and Acoustic canopy.
- 1.9.2 Experience certificate in manufacturing/ assembling of 30 kVA silent type, Air Cooled/Liquid cooled DG Set for above capacity in their own name during the last five years. A list of such works giving details of capacity & date of supply along with the completion certificates issued by the client deptt.
- 1.9.3 Certificate of Original Equipment Manufacturer (OEM) / Original Equipment Assembler (OEA) of the offered make/model of Engine and Alternator.
- 1.9.4 A valid copy of ISO 9001: 2000 Certificate of OEM/OEA of the offered DG set (Engine and Alternator).
- 1.9.5 Test certificate of similar type and capacity of Engine and Alternator.
- 1.9.6 List of standard tools as part of DG set required for the maintenance of the DG set.

1.10 Documents to be submitted After Acceptance of Tender:

- 1.10.1 Six copies of the drawings in plan, elevation & section showing the dimensional details, location, accessories etc. of the DG Set should be sent to AIR within two weeks of acceptance of the tender for approval before taking up manufacturing. Two sets will be returned after approval.
- 1.10.2 Two copies of installation, assembly at site, operation, maintenance and trouble shooting manual having details of routine, preventive/ corrective and periodical maintenance.
- 1.10.3 Following documents/details will have to be supplied to the consignee along with the DG Set at the time of delivery:
 - a) Two copies of the book of instructions for the Installation, Testing, Commissioning, Operation and Maintenance of DG Set.
 - b) Factory Test Certificates showing the results of tests actually conducted on the Engine, Alternator & Accessories.
 - c) Two sets of finalized drawings showing dimensions and other fixtures on the DG Set including wiring of panel.
- 1.10.4 Two set of drawing and Manuals/ instruction book-let etc of DG Set should be sent directly to Dy. Director General (Engineering) (FM), P&D Unit, DG : AIR, Akashvani Bhawan, New Delhi as soon as drawings are approved by the AIR.

1.11 PACKING:

The packing should be suitable to withstand transportation hazards. Each packing should contain a packing slip giving the details of the contents and bear the address of consignee. A copy of packing slip giving the list of items included in the package together with the package number should be mailed in advance to the consignee.

1.12 **GUARANTEE:**

As per clause 1.11 under Section-I.

1.13 **SPARES:**

Along with the diesel generator, the Tenderer should also quote separately for recommended spares for two years operation of DG set giving list of all the spares along with price of each item of spare by considering that DG set will be running continuously for at least 12 hrs. Per day. The list of recommended spares should be based upon field reports and should be sufficient enough for trouble free operation of the DG Set at remote locality.

All India Radio at its own discretion may procure essential spares for a value not exceeding 10% of the cost of equipments. All the tenderer should quote all the essential spares.

1.14 **TESTING/ACCEPTANCE AT SITE:**

The supplier should show all the required tests at site as per mutually agreed acceptance procedure according to relevant standard of BIS for such jobs at no load, partial load and full load (in steps of 25% from no load to full load and permissible overload). The consumable items like fuel, lubricants, belts etc. during this testing should be arranged by the tenderer.

1.14.1 Tenderer should arrange at site the load for testing at no load, partial load and full load (in steps of 25% from no load to full load) and for over capacity test as per Section II.

2. **TECHNICAL SPECIFICATIONS**

The stand alone, silent type, Air cooled, DG set mounted on a self contained rust proof chassis complete with weather proof, sound proof Acoustic enclosure with built in exhaust & ventilation system. DG Set should meet the noise level. All units & accessories should be housed on single chassis inside the enclosure.

2.1 **ALTERNATOR:**

The Alternator will conform to IS: 13364 (Part - 2) – 1992 for manufacturing, Enclosure of alternator as per IS: 4691 IP 23, mounting as per IS: 2253 & testing of Alternator as per relevant IS with latest amendments.

I.	ALTERNATOR	REMARKS
1.	Electrical output (continuous) in KVA	30 kVA at site condition
2.	No. of phases and in case of poly-phase machines, inter-connection between the phases if any.	Three phase with neutral star connected.
3.	Rated voltage	415 Volts (Nominal)
4.	Power factor	Better than 0.85 (lagging)
5.	Frequency in Hz	50 Hz
6.	Direction of rotation	Clock wise looking from driving end.
7.	Speed in RPM	1500
8.	Type of enclosure of alternator	Screen protected drip proof.
9.	Type of coupling direct or by belt	Engine is to be coupled directly to alternator. Chain or belt drive is not

Akashvani Specification No: Containerization of 5 kW FM TX. /01/October/2024-D (TD/FM)

		acceptable.
10.	Exciter(self or separate)	<p>i) The alternator shall be self regulating and shall have its own brushless exciter and rated for continuous operation from no load to full load under all working conditions.</p> <p>ii) The alternator shall be able to supply unbalance load as specified in IS 13364 Part-II: 1992.</p>
11.	Type	Rotating field, salient pole brushless alternator complying to IS 4722:1922
12.	Class of Insulation	Rotor Class 'F' stator Class 'B' or better
13.	Voltage regulation	Shall be within $\pm 2.5\%$ from no load to full load.
14.	Neutral point	The neutral point is to be brought to the terminal block and earthed as per I.E. rules/IS code.
15.	Cooling	Self ventilated forced air cooling.
16.	Bearing	Anti-friction grease lubricated ball/roller bearing
17.	Temperature rise	As per IS 4722:1992
18.	Overload capacity	10% overload for one hour in every 12 hours.
19.	Occasional excess current for AC generator	Shall be capable of with standing a current equal to 1.5 times the rated current for not less than 30 seconds.
20.	Voltage frequency measurement	Display through separate meters.
21.	Vibration	As per IS 12075:1987
22.	Noise	As per IS 12065:1987 (for studio refer to special conditions)
23.	<p>i) Terminal</p> <p>ii) Output Terminals</p> <p>iii) Terminal marking</p>	<p>Three phase with Neutral</p> <p>The alternator output terminal shall be mounted in a suitable box.</p> <p>As per IS 4728:1975</p>
24.	Whether rated output is required at NTP or site condition	At site condition taking into accurate de-rating factor as per IS:1601
II. DIESEL ENGINE:		
1.	Type of engine & fuel to be used	<p>i) High Speed Diesel, air cooled/liquid cooled confirming to IS 10002 and IS 10000/80 Part VII with amendment 1&2 or BS-5514. The fuel pump should be block type.</p> <p>ii) Electric start, 4 stroke 4 cylinder</p>

Akashvani Specification No: Containerization of 5 kW FM TX. /01/October/2024-D (TD/FM)

		diesel engine designed to run continuously at 1500 RPM complete with all the standard accessories.
2.	Method of starting	The engine shall be cold starting type
i)	Hand starting, battery starting or compressed air starting	Electric starting from 12 volt lead storage battery with facility of remote operation. Manual starting facility is also to be provided. DC voltmeter DC ammeter shall be provided for starting battery. DG Set offered with compressed air starting will not be accepted
ii)	Battery	Yes, battery offered should be of good quality and reputed make given in section II-4 of suitable capacity.
3.	Capacity of fuel tank in liters required	Service Tank of minimum 100 liters capacity with suitable dial type fuel gauge. (NB: Tank should be part of self-contained cabinet & housed suitably.)
4.	Speed of engine directly coupled	1500 RPM with class 'A'; governing as laid down in IS 10000/BS-5514.
5.	Engine protection equipment (Load oil pressure, indicator, cooling air thermostat engine over speed, cooling air temperature indicator etc.) provide details in the technical bid	<p>i) The engine shall be totally enclosed type and preferably be fitted with positive pressure system of lubrication to the moving parts. No moving part shall require lubrication by hand either prior to the starting of engine or while it is in operation.</p> <p>ii) Over speed protection through frequency monitoring with audio and visual alarm.</p> <p>iii) Low lubricating oil pressure relay.</p> <p>iv) Protection against high cylinder head temperature with audio and visual alarm.</p> <p>v) Lubricating oil filter shall be provided for operation under normal conditions for engine for a period of 500 hours without the necessity of replacement or cleaning.</p>
6.	Instrument's required for the engine	<p>i) Lubricating oil pressure gauge.</p> <p>ii) Lubricating oil temperature gauge.</p> <p>iii) Battery charging ammeter.</p>
7.	Site conditions a) Max. ambient temperature b) Relative Humidity	-25° C to + 40° C 95 percent, non condensing.

Akashvani Specification No: Containerization of 5 kW FM TX. /01/October/2024-D (TD/FM)

	c) Altitude above mean sea level in meters	4500M
8.	Whether rated output required at N.T.P. (as per IS-10000/BS-5374) or at site conditions	At site conditions
9.	Type of mounting:	The DG set shall be mounted on specially designed heavy MS channel base (provided common bed for engine alternator coupled together) from a regular foundation in a diesel room. The foundation details will be supplied by the supplier of the equipment. The DG set will be mounted on cushy foot mounting so as to absorb vibrations.
III. Control and Exciter panel:		
1.	Type of panel and type of mounting	Indoor type floor mounted, dust proof front door. All components shall have labels fixed on the panel. The control panel shall be completely assembled, wired up and connected for ready installation. The panel shall have required switches/circuit breakers of suitable rating aluminium bus bar, CTs, neutral link, earthing bolt, power and control terminals, AC voltmeter AC ammeter, frequency and hour meter, indicating lamp, instrument fuses and various protections as mentioned in the subsequent clause 2 to 7.
2.	Type of switch and protection etc., and other arrangement	<ul style="list-style-type: none"> i) Moulded case circuit breaker MCCB as per IS with over load and short circuit protection of a rating suitable for capacity of DG set. ii) One set of fuses shall be provided for instruments and control circuit. iii) Earth fault protection through relay. iv) Under voltage protection through relay. v) Under frequency protection through relay vi) The control panel will also be completed with internal wiring and labeling.
3.	Local/remote start	The local/remote starting facility shall have following features: <ul style="list-style-type: none"> a) Start/stop push button for local starting b) Special switch on local control

Akashvani Specification No: Containerization of 5 kW FM TX. /01/October/2024-D (TD/FM)

		<p>panel providing locking in any of the four positions. 1. Local, 2. Remote, 3. Off 4. Test.</p> <p>c) A timer shall be provided to ensure that the starter is not pressed for too long at a time.</p> <p>d) A pressure switches to ensure that the starting motor is not energized, when the generator is running. This can be operated from the oil tube pressure.</p>
4.	Ammeter	
a)	Whether one for each phase or only one with rotary switch	One with selector switch
b)	Size of scale	The ammeter scale shall not be less than 10 A above the full load current.
c)	Type of movement	Moving iron type (Ferro magnetic)
d)	Accuracy	Industrial grade 'A' as per relevant specification
e)	Whether flush or projected pattern	Flush
5.	Voltmeter (R-Y-B)	One number with selector switch (0-500 V)
6.	Indicating lamp	Three numbers (Flush mounted) in different colour ,with fuses
7.	Frequency meter & hour meter	To be provided
8	Multifunction Meter (p.f., kW, kVAR, kVA)	To be provided
9.	Tools	A standard set of tools like Double ended spanner set, Screw Driver set, fuel gauge, 'O' ring push rod, etc required for daily maintenance purposes should be provided.

IV Automatic Mains Failure (AMF) Control Panel:

The Diesel Generator will be provided with an Automatic Mains Failure (AMF) Control Panel.

General Features: The control panel shall be fabricated out of 1.6 mm sheet steel, totally enclosed, dust, damp and vermin proof free standing floor mounted type & front operated. It shall be made into sections such that as far as feasible, there is no mixing of control, power, DC & AC functions in the same section and they are sufficiently segregated except where their bunching is necessary. Hinged doors shall be provided preferably double leaf for access for routine inspection from the rear. There is no objection to have single leaf hinged door in the front, all indication lamps, instruments meter etc. shall be flushed in the front. The degree of protection required will be IP-42 conforming to IS: 2147

Terminal blocks and wiring: Terminal blocks of robust type and generally not less than 15 Amps capacity. 250/500 volts grade for DC up to 100 volts and 660/1100 volts grade for AC and rest of the junction shall be employed in such a manner so that they are freely accessible for maintenance. All control and small wiring from unit to unit inside the panel shall also be done with not less than 2.5 sq. mm copper conductor PVC insulated and 660/1100 volts grade. Suitable colour coding can be adopted. Wiring system shall be neatly formed and run preferably, function wise and as far as feasible segregated voltage-wise. All ends shall be indentified with ferrules at the ends.

Labeling: All internal components shall be provided with suitable identification labels suitably engraved. Label shall be fixed on buttons, indication lamps etc.

Equipment requirements: The control cubical shall incorporate into assembly general equipment and system as under.

- a) Microprocessor based relay with composite meter for digital display of
 - i. Generator voltage/AC Mains voltage
 - ii. Generator current.
 - iii. Power Factor
 - iv. Frequency
 - v. Energy
 - vi. Three attempts engine start/engine cranking relay.
 - vii. On-delay timer for load change over
 - viii. On-delay timer for engine shut off
- b) Mode selector switch for setting the panel on any one position such as OFF or AUTO or MANUAL or TEST.
- c) Engine on-off switch (Push button type)
- d) MCCB of suitable rating shall be provided
- e) Rectangular aluminum bus bars (one number for each phase, neutral and Earthing terminal) of adequate ratings duly colour coded with heat shrinkable PVC sleeves
- f) Contractors of suitable rating (for DG sets & AC mains) with over load relay.
- g) Under-voltage relay for mains.
- h) Battery charger complete with voltage regulator, float or booster selector switch, one-off switch, voltmeter and ammeter for charging the battery from mains. This will be in addition to the battery charging alternator fitted on the engine.
- i) Instrument & control Fuses.
- j) Five numbers indicating lamps to indicate 'mains ON', 'load on mains', 'set running', 'load on UPS' and 'battery charger on'.
- k) Audio visual alarm for 'Low lubricating oil pressure', 'High water temperature'.
- l) Any other switch, instrument, relay or contractor etc. essential for smooth and trouble free functioning of DG set with AMF panel. (To be specified by the tenders in their offer with complete detail of the item).

System Operation: The above-mentioned facility provided shall afford the following operational requirements.

AUTO MODE:

- a) A line voltage monitor shall monitor supply voltage on each phase. When the mains supply voltage fails completely or falls below set value (variable between 80 to 95% of the normal value) on any phase, the monitor module shall initiate start-up of diesel engine. To avoid initiation due to momentary disturbance, a time delay adjustment between 0 to 5 second shall be incorporated in start-up initiation.
- b) A three attempt starting facility shall be provided 6 second ON, 5 Seconds OFF, 6 second ON, 5 Seconds OFF, 6 second ON. If at the end of the third attempt, the engine does not start, it shall be locked out of start and a master timer shall be provided for this function. Suitable adjustment timers are to be incorporated which will make it feasible to vary independently ON-OFF setting period from 1-10 seconds. IF alternator does not build up voltage after the first or second start as may be further starting will not be made until the starting facility is reset.

- c) Once the alternator has built up voltage, the alternator circuit breaker shall close connection the load to the alternator. The load is now supplied by the alternator
- d) When the main supply is restored and is healthy as sensed by the line voltage monitor setting, both for under voltage unbalance, the system shall be monitored by a suitable timer which can be set between 1 minute to 10 minutes for the load to be transferred automatically to main supply.
- e) The diesel alternator set reverts to standby for next operation as per (a), (b) and (c) above.

The AMF Panel should have the provision to switch over between DG Set No.1, DG Set No.2 & mains power supply.

MANUAL MODE:

- a) In a manual mode, it shall be feasible to start-up the generator set by the operator on pressing the start push button.
- b) Three attempts starting facility shall be operative for the start-up function.
- c) Alternator circuit breakers closing and trip operations shall also be through operator only by pressing the appropriate button on the panel and closure shall be feasible only after alternator has built up full voltage full voltage. If the load is already on 'mains, pressure on 'close' button shall be infective.
- d) Engine shut down, otherwise due to faults, shall be manual by pressing a 'stop' button

TEST MODE:

- a) When under 'test mode, pressing of 'test' button shall complete the startup sequence simulation and start the engine. The simulation will be that of mains failure. Sequence (a) and (b) shall be completed.
- b) Engine shall build up voltage but the set shall not take load by closing of alternator circuit breaker. When the load is on the mains, monitoring of performance for voltage/frequency etc. shall be feasible without supply to load.
- c) If during test mode, the power supply has failed, the load shall be automatically get transferred to alternator.
- d) Bringing the mode selector to auto position shall shut down the set as per sequence I (d) provided main supply is ON. If the mains supply is not available at the time, the alternator shall take load as in (c) above.

Engine shut down and alternator protection equipments:

Following shut down and protection system shall be integrated in the control panel.

- a) **Engine.**
 - i) Low lubricating oil pressure shut down. This shall be inoperative during start and

acceleration period.

- ii) High coolant (water) temperature shut down.
- iii) Engine over speed shut down.
- b) **Alternator Protection:** Following protection arrangement shall be made:
 - i) Over load
 - ii) Short circuit
 - iii) Earth fault
 - iv) Over voltage

V. Acoustic Enclosure

- a) The Diesel Generator and its control panel will be mounted in an acoustic enclosure (sound attenuated) with trolley away from the technical area.
- b) The enclosure should provide noise reduction of DG set to a level as per Central Pollution Control Board norms.
- c) The acoustic enclosure should be weatherproof, strong and suitable for outdoor location. It should be made out of 16 SWG CRCA sheet press bent to designed shape and provided with internal acoustic on all the five sides including door and roof.
- d) The insulation should be covered with tissue paper and perforated sheet.
- e) The wall and roof panel will comprise double wall CRCA press bent sheet outside and perforated CRCA sheet inside.
- f) The enclosure should be collapsible type for easy dismantling.
- g) The enclosure should also be provided with a lockable access door for convenient entry of operating and maintenance personnel and for removal of diesel generator for repairs as and when required.

SECTION II – (D) - TECHNICAL SPECIFICATION OF POWER SUPPLY SYSTEM

4. TECHNICAL SPECIFICATION FOR POWER SUPPLY LT DISTRIBUTION BOARDS & EARTHING SYSTEM

1. General:

- a) This specification covers design, supply, erection, testing and commissioning of Cubicle type sheet steel switch board suitable for AC three phase as per section I.
- b) The general power supply schematic and electrical arrangement are shown in the P/S schematic. The switch board will be installed indoors. It shall however be suitable for working under tropical conditions with ambient temperatures up to 40°C and with humidity going up to 95%.
- c) The switchboard shall be designed for efficient and trouble free service for long period of continuous operations. All materials used in the construction shall be of high quality and conform to the relevant IS specifications.
- d) All Electrical work shall be carried out in accordance with standard electrical practice. The units shall be designed for economical and compact accommodation of the necessary, MCCBs and MCBs, for easy maintenance and complete safety to operating personnel.

- e) The L.T. switch board shall be complete with interlocking arrangements, safety shutters wherever required, small wirings, earthing strips, digital meter, cable compression glands and all accessories for installation and normal service. The design and construction of the switch board and switch gear shall conform to relevant IS standard.
- f) The switchboard offered shall be capable of withstanding rigorous use and of resisting rough handling during transport. Adequate lifting facility shall be provided for the complete equipment.
- g) A surge protection system may also be provided for the power supply system.

2. DETAILED TECHNICAL SPECIFICATIONS;

- a) The LT Distribution board shall be suitable for working on three phase with earthed neutral supply system, and for general requirement shall be as per relevant IS standard.
- b) The LT Distribution board shall be indoor type, wall fixing compact metal clad totally enclosed and readily extendible. The markings and arrangement for switch gear and control gear shall conform to IS standard.
- c) The type of enclosure shall provide a degree of protection conforming to relevant IS standard. The LT Distribution board shall be provided with necessary molded case circuit breaker with thermal overload and magnetic release and with miniature circuit breakers.
- d) The cubicle type LT Distribution board shall have a fault withstanding capability as per relevant IS standard.

3. Constructional features:

- a) The LT Distribution board shall be designed for wall/ floor mounted. Incoming cables will enter the switch board vertically from the below. LT Distribution board shall be provided with removable bottom plates with cable compression glands fixed for aluminum cables. Aluminum /copper crimping type lugs shall be provided to cables. Outgoing cables shall be taken from the top of the LT Distribution board.
- b) The LT Distribution board shall be of single front construction and equipments shall be mounted on the front only. The LT Distribution board shall have a uniform height & depth throughout its length. All cable connections shall be accessible from front side.
- c) The LT Distribution board shall present a flush appearance and shall be made of 2mm thick (14 SWG) M.S. sheet and shall be free from rust, scales, grease and other foreign matters.
- d) For convenience of operation and ease of cable termination, there shall be adequate gap (minimum 500mm) between the floor level and the bottom most unit.
- e) The frame work shall be rigid and with modular arrangement. The frame work shall house the MCCBs/ MCB etc. in multi-tier formation. The equipments shall be mounted independent of the back plate and not on the rear surface of the housing.
- f) Each module shall be fitted with individual doors with concealed hinges. All doors shall be held securely against sponge rubber gaskets to make the equipment dust free and vermin proof.
- g) The compartment doors shall be so interlocked that it shall not be possible to open the door with the switch in ON position. Provision may also be made for pad locking the switches in off position wherever required.
- h) All steel work shall undergo a process of degreasing, pickling in acid, cold rinsing, phosphorescing, passivating and then be sprayed with a high corrosion resistant primer. The finishing treatment shall be by application of two coats of heat resistant synthetic enamel of approved shade as per relevant IS standard.
- i) A base channel, painted black shall be provided to prevent corrosion of sheet cubicles and to facilitate cleaning of floors.

4. BUS BARS

Akashvani Specification No: Containerization of 5 kW FM TX. /01/October/2024-D (TD/FM)

- a) Single piece, air insulated bus-bars of hard drawn high conductivity copper rated for the current indicated in the reference drawing and corrected for an ambient temperature of 40°C and conforming to relevant IS standard shall be provided.
 - b) Bus bars shall be supported on unbreakable, non-hygroscopic supports rigidly held to the frame work of the chamber so as to withstand the dynamic forces during worst fault conditions. These are to be insulated individually with an approved non deteriorating insulating material to make it dust proof.
 - c) The neutral bus bars should be insulated with provision for earthing at one point. Minimum clearances of bus bars between phase and neutral and between phase and earth shall conform to relevant IS Standard.
 - d) The bus bars shall have continuous current rating throughout the length of the switch board. The neutral bus bar shall have continuous rating of at least 50% of the phase bus bar.
 - e) Indicating lamp with protective fuse shall be provided on the bus bar chamber to indicate the status of the phase.
5. Moulded case circuit breakers: All the MCCBs shall be ISI marked and different current setting for 50 %, 75 % are to be provided by the tenderer.
- a) The operating handle should clearly indicate ON, OFF and TRIP positions.
 - b) Earth Leakage protection is to be provided with MCCBs for safety of operating personnel. All parts of the circuit breaker shall be enclosed in the moulded housing with only the terminals accessible for external connections.
 - c) The MCCBs shall be as per IS.
 - d) Necessary interlocks wherever necessary to be provided.
6. Miniature circuit Breaker (MCB): MCBs shall be ISI marked.
- a) All the necessary Cable compression glands for the incoming/outgoing cables will be provided including connections etc. complete as required.
7. All control and metering wiring shall be done by 1.5 sq.mm (stranded) copper conductor, PVC insulated wire. CTs wiring shall be done with 2.5 sq.mm copper conductors (stranded). All control wirings shall be fitted with identification ferrule at each end duly numbered /identified. The wires shall be arranged and supported in such a manner that there shall be no strain on the terminations.
8. All the connection / interconnection inside the cubical type LT Distribution board shall be of copper conductor strip/solid circular bar/copper conductor (stranded)PVC insulated having rating at least 1.5 times the normal rating. These are to be insulated individually with an approved non deteriorating insulating material to make it dust proof. As per the requirement, tenderer shall use suitable copper thimbles of suitable size duly crimped and fitted with nut bolt washer etc. in a neat, clean and in professional manner.
9. Digital Indicating Instruments: All the meters i.e. voltages, current , frequency, and power factor meter shall be digital meters and ISI marked. Current and potential transformer shall be as per relevant ISI standard. Metering shall be provided as per schematic. All the meters shall be digital and flush mounting type.
10. Earthing: Earthing conductor shall be of aluminium and minimum size as 5 mm x 30mm. The terminals will be provided for connecting the board to external earth through 25 mm wide 4 mm thick copper or G.I. strips.
11. All the test report of LT Distribution board as per relevant IS standard as applicable shall be submitted by the tenderer. All the connections incoming/ outgoing cable shall be done as per the relevant IS standard along with the testing, commissioning of the LT Distribution board.

12. Miscellaneous: In respect of following, the tenderer shall provide and comply in the SETC of the above LT Distribution board.
- i) All the bus bar shall have colour identification.
 - ii) All the incoming / outgoing MCCBs, MCBs etc. are to be duly marked for proper identification.
 - iii) All the openings/holes in the LT Distribution board should be plugged / covered with the insulating sheet properly.
 - iv) All the tools required for the maintenance should be the part of the SETC of the LT Distribution board.
 - v) Suitable danger notice board with sign of skull and bones with voltage level indication and confirming to the relevant IS shall be affixed on the electrical installations.
 - vi) The glands of all the incoming/outgoing cables shall be connected with separate and distinct connections with earth.
 - vii) All the earthing strip wherever continuity breaks shall be got brazed / welded (as the case may be) in addition to their being tightened with nut and bolts.
13. Two sets of spare fuses and lamps may also be included.
14. Complete schedule of materials of each unit, wiring diagram of the electrical circuit & exact dimensional details of the equipment offered, its weight, mounting arrangements and minimum clearance required from the floor is required to be submitted by the tenderer.
15. The trip settings of various breakers should be set at site after measuring the operating current values for best safety.
16. Tenderer is required to show calibrations & settings etc. and test certificates also to be given.
17. QUESTIONNAIRE

The tenderer shall submit the following information with the tender documents.

A. CONSTRUCTIONAL FEATURES OF THE LT DISTRIBUTION BOARD.

- a) Overall Dimensions of the LT Distribution board offered. (Width x Depth x height in mm)
- b) Thickness of the sheet used in mm.
 1. For the front panels
 2. For the back panels
 3. For the side and top panels
 4. For bottom panels/covers
 5. For the mounting frame
- c) Material of the sheet used for the LT Distribution board.
- d) Whether anti corrosive primer and heat resistant synthetic enamel paints are used over the cubicle sheet?
- e) Whether the LT Distribution board is provided with removable bottom plates?
- f) Whether the LT Distribution board has been made dust free and vermin proof? Specify the arrangements provided for the same.
- g) Whether the L.T. switch board is complete with interlocking **arrangements**.
- h) Whether the LT Distribution board conforms to safety standards and offers high degree of protection to operating personnel as per relevant IS standard and Indian Electricity/CEA rules.

B. BUS BAR

- a) Specify the material of the bus-bar used and the type of insulation provided.
- b) Specify the size of the bus bars used.
- c) Whether bus bars are rating are adequate?
- d) Specify the clearances provided between bus bars.

1. Specify the material used for supporting the bus bars.
2. Whether the insulating support is unbreakable and non-hygroscopic ?
- e) Moulded case circuit Breaker
 1. Indicate the make and type of moulded case circuit breakers used.
 2. Specify the ratings of MCCBs/MCB offered.
 3. Whether over current protection is provided and adjustable independently?
 4. Indicate the range of over current protection and short circuit protection.
 5. Earth Fault Relay: i) Range ii) Earth leakage current setting
- f) LT Distribution Board
 1. Whether control wiring and wirings for metering are done with PVC insulated standard copper conductors of required size?
 2. Whether earth fault relays are provided to trip the incoming MCCB/MCB in case of Earth fault?
 3. Whether all the controls, inter-locking instruments and indicators, as required in our specification, have been provided?
 4. Whether the installation material necessary for mounting the LT Distribution board at site have been included.

EARTHING SYSTEM OF THE COMPLETE SETUP:

Earth terminals for connecting client's earth to the transmitter and associated equipments/items shall be provided at appropriate locations as per standard practice.

All the equipment in the containers shall be properly earthed. The earth terminals of the power supply and audio circuits shall be kept separate and brought out on suitable terminals for earthing.

SECTION II – (E) - TECHNICAL SPECIFICATION OF SETC OF VENTILATION EQUIPMENT AIR COOLED SPLIT AC (INVERTER TYPE)

1. General:

Air cooled split AC unit (Inverter type) [2 Nos. × 2.0 TR (Ton)] shall be provided for cooling/heating of transmitter and associated equipments/items in transmitter equipment container.

2. Technical specification:

S. No.	Technical description	Technical Parameter
i)	Cooling	2.0 TR(Ton) at 27°C
ii)	Heating / cooling Capacity	6400W or above
iii)	Operating Voltage	Single Phase as per Section-I.
iv)	Power Consumption	Five star (Year 2020) for better efficiency
v)	Supply Air	550 CFM
vi)	Protections	Refrigerant High Pressure Refrigerant Low Pressure Cooling Thermostat Time Delay Relay Overload for Motors
vii)	Controls	(a) ON/Off (b) Cool (c) Ventilation (through independent fresh air fan)
viii)	Motor	The Motors should be as per IS Standard.
ix)	Wiring	All the Electrical Wiring shall be to PTFE and Conform

- x) Construction to relevant IS Specification.
The Sheet Metal Parts shall be made of heavy gauge steel sheet and painted.
All the fasteners shall be of Stainless Steel to avoid corrosion.
- xi) Noise Level The AC shall confirm to permissible noise level as per IS.
- xii) Air Filters Synthetic fiber or wire mesh filters shall be provided on the inlets of evaporator coil and fresh air. The filters will be easy to remove and re-useable.

SECTION II – (F), GENERAL DESCRIPTION AND SALIENT FEATURES OF MOBILE CONTAINERS

1. GENERAL SCOPE

This Specification lays down the requirements for body building of 2 Nos. of Mobile Containers. One for transmitter with associated equipments/items namely **Transmitter Equipment Container** and other one for Power supply system with associated equipments/items namely **Power Supply Container**.

The Body of each container shall build on 4 Wheel Base with approx. Suggestive Size of 6000mm (L) × 2200mm (H) × 2500mm (W). The size of the mobile containers should be as per O&M and regulatory requirements as per applicable standards/ IS.

The containers shall be suitable for housed transmitter and all associated equipments/items as defined elsewhere in the specifications. Latest technology materials should be used for heat and noise insulation of the walls, ceiling and floor operational areas.

The system shall be designed to allow rapid transportation in the Indian environment, quick and easy deployment.

The design of the containers should be certify by approved structural stability agency for its stability at the wind zone of 198kmph.

The installed equipment should have easy access to back panels for ease of maintenance. The layout & facility design should be done keeping in view broadcast and professional work flow needs for transmitter set up as per requirements as described in these specifications.

The layout should be designed to maximize the utilization of the available space without compromising the functional and safety requirements of transmitter station.

The equipments layout should be such that the containers should be balanced from all sides.

The containers shall have proper arrangement like cupboard etc. for storing/stacking spares.

Akashvani Specification No: Containerization of 5 kW FM TX. /01/October/2024-D (TD/FM)

The offer should also include aesthetically designed, high quality Power Distribution Panel(s) with Changeover Switch with provision of operating on mains and DG, Separate Circuits & Switch Gears for equipment racks, internal lighting and air conditioning/ventilation according to the cooling load requirements.

The interior of the containers should be fitted with aesthetically designed & adequate quantity of compact LED fittings to give proper illumination needed for operation and maintenance.

Lightweight construction shall be used for bodybuilding. The tenderer shall extensively use weight reduction methods by way of using aluminium sections.

The Mobile Containers shall be a highly visible entity. Therefore, styling and aesthetics shall be characterised by modern trends and state of art towards enhancing the exterior and interior features of the Containers.

The best quality raw materials, fittings and hardware shall be used for construction of the body. The fabrication, assembly and finishing work shall be carried out using proven engineering practices and use of tools, jigs and fixtures.

Reliable, rugged, long life fittings such as hinges, locks, handles, doorstoppers, etc. should be used. Quality fittings shall be provided.

The body of each container shall be designed in such a manner that there must be adequate provision for air-lifting/lifting the entire container as and when required.

2. LAYOUT OF TWO CONTAINERS:

A brief detail of two Containers are given below.

2.1 Transmitter Equipment Container:

The transmitters and all the electronic equipment for broadcast, monitoring & control panels, etc., are to be located in this container. Tenderer is required to keep the aesthetics of the transmitter equipment container.

The Equipment racks are to be mounted in transmitter equipment container. The base frame shall be an all steel structure. The top of the equipment cabin shall have tapped holes for mounting the equipment racks. Shelves with hinge doors and handles, knobs and locks are to be provided. This shall also have provision for locking. The drawer shall be made of suitable material.

The worktable shall have an auxiliary drawer for storing a laptop computer. During normal usage of the worktable, this will be in retracted position and locked. For laptop operation, the auxiliary drawer has to be pulled out and therefore auxiliary drawer shall to be on slides.

Adequate Shock absorbers for mounting the equipment console are to be provided by the tenderer. These shall provide adequate isolation for the delicate electronic equipments from the shocks and vibrations as encountered in cross country terrain. A storage space cum seating with foam padding and leather cover shall be provided (500mm (L) 300mm (W) and 500(H)).

Akashvani Specification No: Containerization of 5 kW FM TX. /01/October/2024-D (TD/FM)

The main door of the transmitter equipment container shall provide a clear opening of 800mm (W) x 1950mm (H) to enable unhindered passage of equipment. The door shall be pivoted offset type. Three point snap lock shall be provided for the door. The door handles shall be elegant. Two Nos. of anodised Tower bolts should be provided on the inner side of the door alongwith internal lock arrangement.

One Air vent with exhaust fan and filter packing is to be provided on the right hand side of the transmitter equipment container for flushing out the stale air. Cut outs are also to be provided on the right hand side wall for ducting out the warm air. One inlet air vent with filter packing and inlet fans are to be provided on the left side of the transmitter equipment container.

The transmitter equipment container shall have additional one hinged door of 600mm (Width) with automatic door closer and provision for latching to be provided for Assembly/Service of the rack modules, other equipment and accessories. One Chair is to be provided with 360 degree Swivel & Locking arrangement. Chair should be fixed to the Container base frame with requisite brackets and clamps.

The transmitter equipment container shall have proper bedding arrangement in tier alongwith lockers for operating/caretaking personnel.

The requirement of Air conditioning in Transmitter Equipment Container is estimated to be about 4 TR (Ton). However, it is required to be indicated by the tenderer as per, the calculation of the heat load of the transmitter and container keeping in view the tropical climate of India for use anywhere and give the full design of the A/C system for the container. Proper ventilation arrangement shall be provided during non-operational period of AC units. The mounting of air-conditioning equipment should be such that it should not cause any hindrance to parking of container.

2.2 Power Supply Container:

The Power Supply Container houses – 30 meter Tower, 2 bay antenna, DG Set, UPS, Ladder and other accessories. Provision shall be made for supporting and anchoring these items on the base frame.

The Ladder is stored inside the Power Supply Container during transit. The tenderer shall arrange for securing it and other loose accessories. The Power Supply Container is not air Conditioned.

Head level storage space, with partitions and facility to lock shall be provided.
(Dimensions: 1500mm (L) × 500mm (D) × 220mm (H)).

Two Hinged doors of width 800mm each and 1600mm height at the rear side for access to the Power Supply Container shall be provided. The doors shall be fitted with three point locking mechanism.

One inlet air vent to the Power Supply Container on the left side of the container and One exit air vent with blowers/ Exhaust fans on the right side to be provided.

An Exhaust pipe is also to be provided for the DG Set. This is routed through the floor of the container. Adequate number of hooks is to be provided on the walls for hanging Lightweight items and for lashing loose articles. The points for latching shall be anchored rigidly to the super structure.

3. MAIN BODY CONSTRUCTION OF CONTAINERS:

i. *Base Frame*: Shall be made up of Steel channels and sections of adequate strength. Reinforcements shall be provided at locations for mounting equipment racks, DG Set, UPS, furniture and other accessories. Blind tapped holes shall be provided for fastening these items. The base frame shall be clamped on to the Chassis by High tensile U- Clamps. (M16 or Higher)

ii. *Super structure* is welded frame formed of hollow steel rectangular or square sections.

iii. *The roof structure* shall have appropriately located members for supporting and riveting. The roof structure shall be leak proof.

The complete frame structure shall be fully pre-treated i.e. degreased, De rusted and phosphating following by one coat of metal primer and one coat of synthetic enamel grey.

The frontage of structure shall be symmetrical with respect to vertical and shall not be skewed. Suitable taper or curvature may be provided to enhance the styling.

3.1 Flooring:

The flooring should be level within ± 5 mm and constructed using 19mm marine plywood with rubber spray on the lower side and 2mm vinyl flooring on the top.

All joints and all corners shall be covered with aluminium flat/fluted strip to ensure that the flooring shall not peel off at any at any place. Alternatively, all joints could be hot air welded, and the edges along the walls shall have aluminium beadings. Clearance holes should be made in the wooden floor, panels and in the vinyl flooring at mounting points.

Two steps each approximately 280mm (D) \times 250mm (H) \times 800mm (L) for access to equipment room to be provided. The first step shall be at an approximate Height of 350mm from Ground.

A Foldable /hinged platform may be provided over the steps, to maximise the utilisation of floor space, during extended operating schedules in equipment room. Necessary tapped holes for mounting various equipments shall be provided. These should be on steel plates irrespective of whether the structure made of Aluminium or steel Sections.

Necessary clearances should be made in the wooden floor, panels and in the vinyl flooring where such holes are provided. All tapings should have at least 10mm depth .The holes should be blind or sealed at the bottom, to avoid water ingress due to splashing. Rubber mats are to be provided on steps leading to the equipment room, these shall be held in position by recesses or retainers on the steps.

3.2 Panelling:

Exterior Panelling: Stretch formed Aluminium Sheets of 1.6mm thickness and free of any waviness shall be used for any exterior panelling the panels are to be welded to the structure .The roof outer panel shall be Aluminium. All joints in the roof shall have an insert of tar felt before riveting. Further, a strip of tar felt shall be pasted over all roof joints with suitable durable adhesives.

Provision should be made to drain off water from roof and all the doors and the entire containers should be rain proof.

Akashvani Specification No: Containerization of 5 kW FM TX. /01/October/2024-D (TD/FM)

The Containers shall be subjected to heavy rain test for an hour and no leakage inside the containers is acceptable. It is suggested that extra care is taken in the design of bodywork to prevent entry of water and dust under extremes weather encountered in Indian conditions. This test shall precede the inside panelling and is done in the presence of AIR representative.

Interior panelling should be done using suitable panels with carpeting bonded to panels. Joints if any should be finished with slim extruded & polished Aluminium beading with PVC inserts. Aluminium chequered panels may be used for a height of 6" from floor.

Anti drumming compounds (two coats) should be applied on inner face of panels before riveting.

The roof shall have openings for air conditioner fixing at suitable locations.

3.3 Insulation for walls & floors:

PE foam sheets (40mm thick) shall be used for thermal and acoustic insulation between the outer and inner panels of the body. Two layers of 20mm thick shall be used with joints in the two layers being laterally displaced to avoid straight joints. PE foam must be packed tightly to avoid air gaps. 3mm PE insulation should be used before riveting panels on to structural members. As the inner panel drapes down to the floor, the Cable trays are to be located in the gaps so formed.

3.4 Windows

Tinted toughened glass of 4.8mm thickness shall be used. Window frame shall be of Aluminium. Suitable Channels and wiper shall be used to make the windows dust and waterproof. Holes shall be made in the window framework to ensure that rain water drains out wards and does not enter inside the containers.

3.5 Hatch Panels:

The flaps and the hatch panels on the exterior panels shall be leak proof and be lined with moulded rubber gaskets. These should lock with snap action and have flush type locking arrangements. Hinged panels should be lined. Gas spring type retainers should be provided. These Cabinets shall also have lamps operating on battery with individual switches so that rigging operation can be done at night. The top portion of these cabinets is to be covered with metal sheets.

4. ELECTRICAL:

The equipment works on three phase supply AC, DC & Signal cables shall be separately bunched and routed. These shall be supported on cable trays and secured by cable ties.

- a) The wiring for equipments shall conform to IS.
- b) The electrical circuitry of external and internal lamps and controls is to be done by the Tenderer. Copper wiring of appropriate gauge and PVC insulation shall be used as per IS specification.
- c) Lamps: The Following lamps with fittings are to be provided.

Four LED lamps in transmitter equipment container

Four LED lamps in power supply container

Lamps to indicate the extremities of the containers.

Two spotlights with dimmer switches to be provided over the work tables.

Two search lights (100W each) are to be fixed on roof top (rear). The fixing arrangement for the searchlights shall have pan and tilt facility and One Lamp to light up rear side of the racks.

5. TRUCK TRAILER STABILIZER JACK STAND:

Four Nos. of integrated stabilizer jack stand for each container trailer shall be supplied by the Tenderer. The capacity of the jack shall be 6 tons each suitable for hilly terrain. In extended condition this shall lift the container off the ground by a minimum of 50mm. (with tyres under fully inflated condition.)

6. AIR-CONDITIONING:

Air conditioning system (as defined above) will be installed by the tenderer in transmitter Equipment Container along with necessary mounting provisions, cut outs for ducting and installation including fitment of A/C system during intermediate stages of the body building work. Any modifications in the body or special features that may be necessary for optimization of the a/c system performance shall be provided.

7. PAINTING & COLOUR SCHEME:

Paint as per IS to be applied for exterior finish. A Minimum of two coats of paint is to be applied.

8. FIRE EXTINGUISHERS/OTHER ACCESSORIES:

Fire extinguishers as per IS recommendation of Chief fire officer with wall mounting brackets shall be provided by the tenderer in both the containers. Tenderer should provide standard/ mandatory fittings like mudguards, trailer hooks, front toe hooks, first aid box, etc.

9. LADDER:

One detachable aluminium ladder of very good quality and requisite strength shall be supplied for access to the rooftop. Hooking/ anchoring arrangements for the ladder shall be provided on the roof at the rear as well as on the left side of each container.

During transit the ladder is to be firmly secured in the Power supply container. Provision shall be made for the same in the power supply container.

10. RAIN TEST:

After the completion of the bodybuilding, the containers shall be subjected to a heavy rain test for one hour. No leakage shall be permissible.

11. EARTHING SYSTEM OF THE COMPLETE SETUP:

Earth terminals for connecting client's earth to the transmitter and associated equipments/items shall be provided at appropriate locations as per standard practice.

All the equipment in the containers shall be properly earthed. The earth terminals of the power supply and

Akashvani Specification No: Containerization of 5 kW FM TX. /01/October/2024-D (TD/FM)

audio circuits shall be kept separate and brought out on suitable terminals for earthing.

SECTION-III : SCHEDULE OF REQUIREMENTS / MATERIALS (UN PRICED) FOR SUPPLY OF ONE SET OF CONTAINERISED MOBILE TRANSMITTER & ASSOCIATED EQUIPMENTS/ITEMS)

{The tenderer must quote all items}

S NO.	Description	Make	Model	Qty.
1.	Supply of Pre-wired Rack including Analogue Stereo Distribution Amplifier, Digital Distribution Amplifier, two numbers (2 Nos.) of Stereo Jack Strip/Audio Patch Panel for analog audio signal and two numbers (2 Nos.) of Stereo Jack Strip/Audio Patch Panel for AES/EBU signal inputs and suitable connectors for Analog Audio (Stereo), AES/EBU (Digital) Audio, SCA, RDS/DARC inputs as per AIR specifications. Pre-wired Rack shall also be provided with cable trays, wiring, tag blocks, terminal strips, BNC connectors, repeat coils, attenuators, necessary modulating inputs level control in steps, facility to measure audio levels at various points in the programme chain with Peak Programme Meter and monitor audio levels at various points in the programme chain with an ampli-speaker (1+1) with mounting arrangement, selector switch, ventilation arrangement and other accessories as per AIR specifications.			1 Set complete
2.	Supply of 20 kVA, IGBT/PWM based (Rectifier & Inverter), true on-line double conversion, fully DSP controlled type UPS system (3- Phase, 4 Wire input - 3 Phase, 4 Wire Output) with remote status display panel with interface cables including batteries and IT as per AIR Specifications.			1 Set complete
3.	Supply of 30 kVA at site condition Silent type Diesel Generator Set with Automatic Mains Failure (AMF) Panel, 415 V, 3 phase, 4 wire, 50 Hz with Engine, Alternator, Control Panel including suitable interconnecting LT cables, Self-contained Acoustic Enclosure for ready to use basis with Service tank of minimum 120 liters capacity with fuel pipe, dial type fuel gauge and complete accessories, battery system, standard tools as per AIR specifications.			1 Set complete
4.	Supply of Ventilation Equipment Air Cooled Split AC (Inverter Type) as per specification [Qty. 1 Set Complete = 2 x 2.0 TR (Ton)]			1 Set Complete
5.	Supply of Automatic Audio Changeover Switch as per AIR Specifications			1 Set complete
6.	Supply of equipments/items for Power Supply LT distribution board as per specification.			1 Set complete
7.	Supply of 2 Nos. of Mobile containers having all the facilities and fully furnished as per specification for working as a mobile broadcasting set up which can be transported anywhere in India as per requirement of AIR. [Qty. 1 Set Complete = 2 Nos. of Mobile Containers]			1 Set complete
8.	i) Supply of 1-5/8" RF Coaxial foam type Cable as per AIR Specification			50 M
	ii) 1-5/8" EIA flange Connector fitted at both end of the above cable			2 Nos.
	iii) Bullets (inners) for 1-5/8" Flange Connectors			2 Nos.
	iv) Hoisting stockings for each cable as per recommendation of manufacturer			1 Set
	v).Earthing kits for RF Coaxial foam type Cable			3 Nos.

Akashvani Specification No: Containerization of 5 kW FM TX. /01/October/2024-D (TD/FM)

	vi)Wall gland/ feed through assembly with accessories for RF Coaxial foam type Cable			2 Nos.
	vii) Cable Clamps (adjustable height) with nut, bolt & washer			45 Nos.
9.	Supply of Ferrite-Core suitable for 1-5/8" RF coaxial copper rigid line for protection against RFI/EMI.			1 Set
10.	Supply of Ferrite-Core for the power supply input terminal for protection against RFI/EMI.			1 Set
11.	Complete DD free Dish DTH setup with 4 Feet Parabolic Dish Antenna, Set top Box, Remote, cable and other required accessories.			02 Nos.
12.	Supply of any other items/accessories required for the completeness of the system. Items wise details (including part number, if any) are to be given by the tenderer). State NA, if not applicable.			1 Lot
13.	Charges for design and complete integration/installation of all the above Equipments/items in Mobile Containers as per Akashvani specification.			1 Lot
14.	Design & Supply of 30 M Foldable tower alongwith mobile trolley as per Akashvani Specifications # Quantity in Metric Ton (MT) offered to be mentioned by tenderer.			MT/1 Set
15.	Inspection charges as per Akashvani specification.			1 Lot

(Vijendra Panwar, ADE(TD))
P&D Unit, DG: Akashvani

(O.N. Pradhan, DDE(TD))
P&D Unit, DG: Akashvani

(Lokendra Kumar , DDE(Proj))
O/o ADG(E-NZ), New Delhi

(Ravindra Goyal, DDG-E(TD))
P&D Unit, DG: Akashvani

INSPECTIONS

(A) INSPECTION OF FOLDABLE ELECTRO-MECHANICAL TOWER WITH TROLLY:

Inspection of the foldable pneumatic/ electro-mechanical tower with trolley shall be carried out as defined in Section-II(C).

(B) INSPECTION OF ASSOCIATED EQUIPMENT/ITEMS:

All other associated equipments/items except at A & B as above will be accepted on the basis of Original Equipment Manufacturer's (OEM) Test Certificates (as per AIR Specification) duly signed and stamped on the letter head of the OEM, failing which Original Equipment Manufacturer's (OEM) Test Certificates will be considered incomplete and equipment offered by the firm is liable to be rejected.

OEM test certificates duly stamped and signed by OEM in respect of all equipment as per specification are to be submitted by the tenderer to the AIR before giving call for inspection.

(C) Joint Inspection of the Containerised Mobile Transmitter setup:

Inspection of the Containerised mobile transmitter setup shall be done as per approved ATP.

ANNEXURE-II

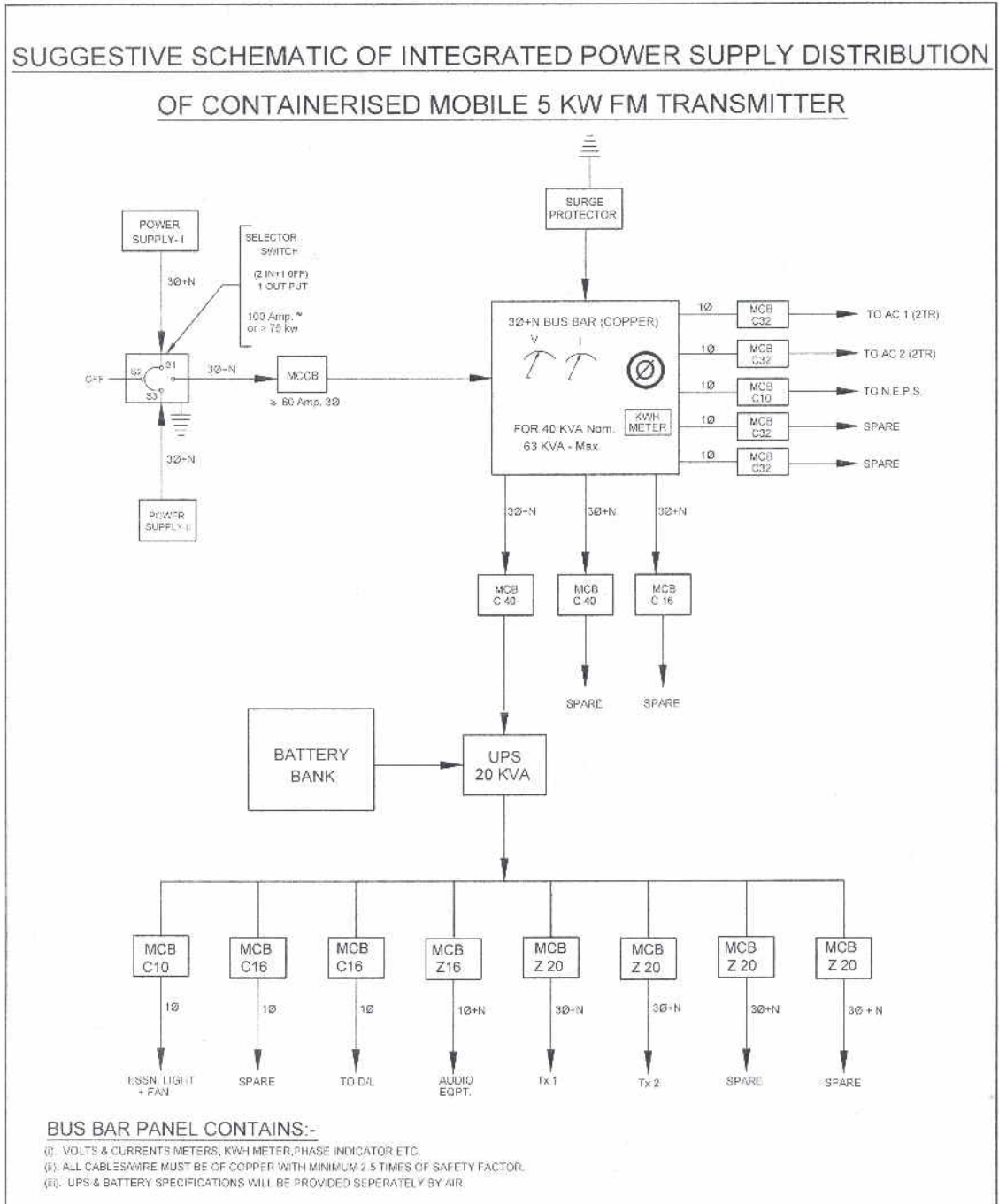
PERFORMA FOR INFORMATION ABOUT LOCAL OFFICE /AUTHORIZED REPRESENTATIVE/ DEALER IN INDIA FOR AFTER SALES SUPPORT

1.	Address of local office/authorized representative/ dealer	
	Telephone (Landline) No.	
	Mobile No.	
	E-mail Address	
2.	Address for communication (if different)	
3.	Legal Status (local office/authorized representative/dealer)	
4.	Name, contact number (Mobile number) & e-mail address of official representative of the local office/authorized representative/dealer	
5.	Brief details of Technical facilities available for after sales support: The details of technical facilities available with local office/authorized representative/dealer for after sales support such as test bench, necessary test & measuring equipment and photographs thereof, must be provided in the technical bid.	
6.	Main line of business, specialization and number of years of operation	
7.	Total number of permanent technical employees including their designation and qualification	
8.	Details of Agreement/MoU for after sales support with OEM (Copy must be provided with the offer)	Date of Agreement: Executed at : Executed by :
(Authorized Signatory of local office/authorized representative/dealer)		(Authorized Signatory of transmitter OEM)
Name :		Name :
Signature :		Signature :
Place and Date:		Place and Date:

List of Places:

For J&K region and Ladakh region

DRAFT



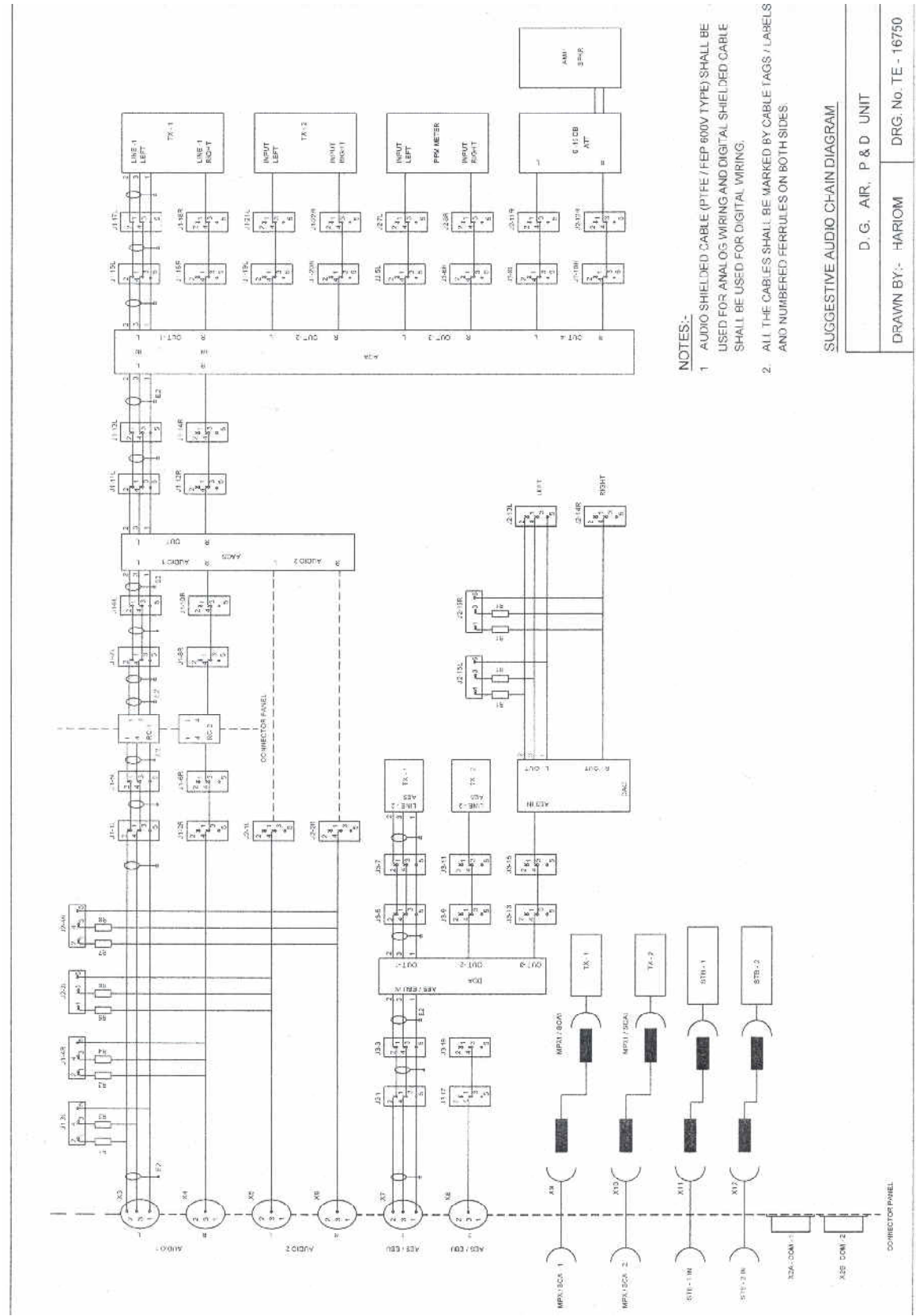
(Vijendra Panwar, ADE(TD))
P&D Unit, DG: Akashvani

(O.N. Pradhan, DDE(TD))
P&D Unit, DG: Akashvani

(Lokendra Kumar, DDE(Proj))
O/o ADG(E-NZ), New Delhi

(Ravindra Goyal, DDG-E(TD))
P&D Unit, DG: Akashvani

Akashvani Specification No: Containerization of 5 kW FM TX. /01/October/2024-D (TD/FM)



NOTES:-

1. AUDIO SHIELDED CABLE (P/TFE / FEP 600V TYPE) SHALL BE USED FOR ANALOG WIRING AND DIGITAL SHIELDED CABLE SHALL BE USED FOR DIGITAL WIRING.
2. ALL THE CABLES SHALL BE MARKED BY CABLE TAGS / LABELS AND NUMBERED FERRULES ON BOTH SIDES.

SUGGESTIVE AUDIO CHAIN DIAGRAM

D. G. AIR, P & D UNIT	
DRAWN BY:- HARIOM	DRG. No. TE - 16750

(Vijendra Panwar, ADE(TD))
P&D Unit, DG: Akashvani

(O.N. Pradhan, DDE(TD))
P&D Unit, DG: Akashvani

(Lokendra Kumar, DDE(Proj))
O/o ADG(E-NZ), New Delhi

(Ravindra Goyal, DDG-E(TD))
P&D Unit, DG: Akashvani